



# Swiftech Radiator - MCR140 Quiet Power Series 140mm Radiator

\$44.95

## Product Images



## Short Description

The MCRx40-QP (Quiet Power™) series radiators are heavy-duty, low-noise optimized, liquid-to-air heat exchangers designed to be used with 140mm fans and specifically engineered for high-end liquid cooled Personal Computers.

## Description

---

The MCRx40-QP (Quiet Power™) series radiators are heavy-duty, low-noise optimized, liquid-to-air heat exchangers designed to be used with 140mm fans and specifically engineered for high-end liquid cooled Personal Computers.

First introduced in 2005, the Quiet Power™ technology is the result of months of research and development focused on optimizing thermal performance and audible noise characteristics with low to medium airflow types of fans. To this day, the Quiet Power radiators have set a standard for others to follow, and meet today's PC industry highest thermal loads, quality standards, and low noise requirements at competitive prices.

For a good noise to performance ratio we recommend using the MCRx40 series radiators with fans rated in the 1500 RPM range or below (higher RPM ranges may be used for louder results).

## Features

---

Thermal design is optimized for maximum heat dissipation with 140mm fans featuring very low to medium air output.	Excellent cooling at very low noise
Slim form factor (34mm)	Reduces radiator intrusion on neighboring components, helps compatibility
Self-purging plenums	Help eliminate accumulation of air in the radiator, and annoying gurgling noises
Brass tubes	No corrosion
Copper fins	Better heat dissipation
1/4" BSPP (G1/4) threaded hubs	Compatible with industry standard G1/4 fittings with captive o-ring
Quality assurance: all our radiators are ultrasonically cleaned to remove solder flux, and individually pressure-tested for leaks!	

## Specifications

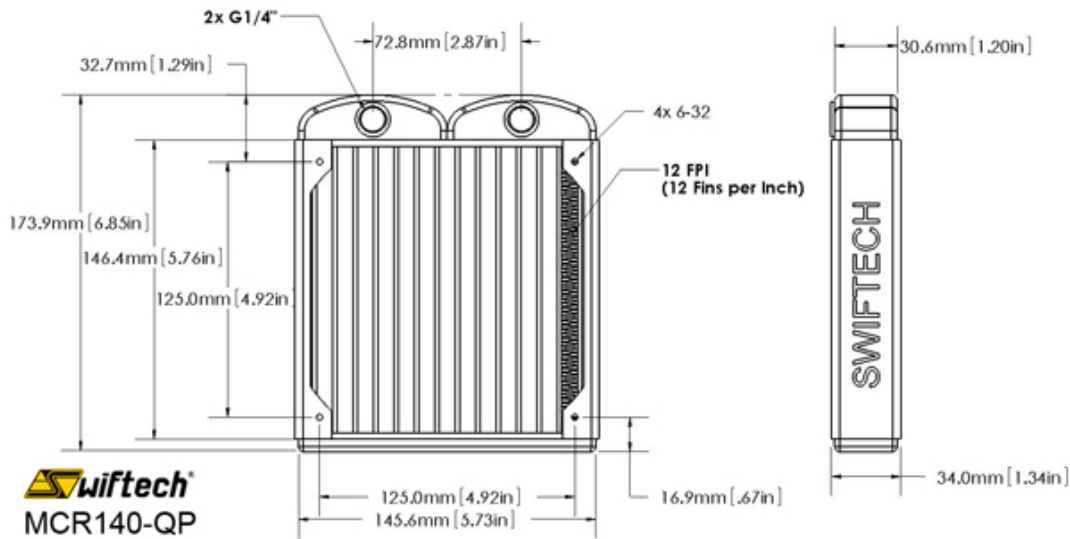
---

2-pass, single row construction	Slim form factor (34mm)
Brass body and brass tubes	12 fpi louvered copper fins
High-durability black satin acrylic paint	Inlet/Outlet hub threads: 1/4" BSPP (G1/4")
Weight: MCR140-QP 16 oz (453g) MCR240-QP 25 oz (708g)	ROHS compliant

What is Included with each radiator:

- 4 (MCR140) or 8 (MCR240) each philips pan head screws 6-32 x 1/4" - for fastening of radiator to case
- 4 (MCR140) or 8 (MCR240) each philips pan head screws 6-32 x 1 1/4" class (29mm) - for fastening of fan(s) to radiator
- Installation Warning pamphlet
- No fittings

## MCRx40-QP SERIES DIMENSIONAL DRAWINGS



## Additional Information

Brand	Swiftech
SKU	MCR140-QP
Weight	2.0000
Color	Black
Radiator Size	140 (1 x 140mm)
Radiator Thickness	34mm

