



Monsoon Light Port 90° Rotary Angle Fitting - 3/4" - Black Chrome

\$11.95

Product Images





Short Description

Designed to beautifully compliment the full line of Monsoon Free Center Compression Fittings. Rotary bodies for each tube size are matched to the compression ring outside diameter for a clean modern aesthetic. The Light Port feature allows you to install our color matched Monsoon LED plugs for a killer lighting effect.

Description

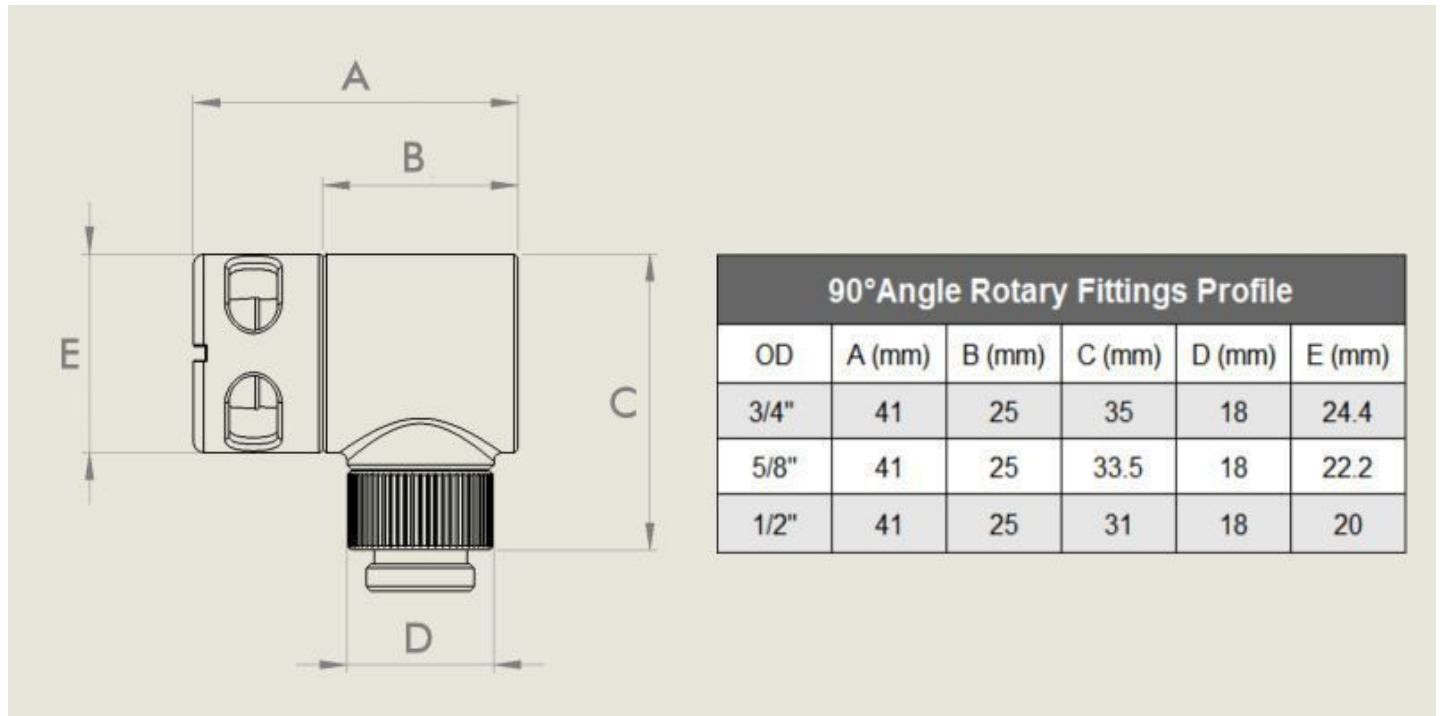
Designed to beautifully compliment the full line of Monsoon Free Center Compression Fittings. Rotary bodies for each tube size are matched to the compression ring outside diameter for a clean modern aesthetic. The patent pending Light Port feature allows you to install our color matched Monsoon narrow focus 8 degree super bright LED plugs that blast light out into your loop for a killer lighting effect. If monitoring performance is more your thing, you can install our color matched Monsoon Temp Probe Plugs. Hands down one of the most beautiful and innovative rotary fittings ever released—just what you would expect from Monsoon.

Standard and specialty plugs and fittings are sold separately allowing you to mix and match main body and accent colors. This also allows you to change fitting and accent disk colors on future builds without replacing the rotary bodies.

Features

- Available in 45 and 90 degrees.
- Available in standard and patent pending Light Port versions.
- Standard Plugs, LED Plugs, and Temp Probe Plugs available in all 10 Monsoon color finishes allowing users to mix and match colors.
- Rotary body O.D. is matched to each tube size compression ring O.D. for a beautifully modern and clean aesthetic.
- Industry standard G 1 / 4 threads on both ends fit any compliant port or fitting.
- Machined from high quality solid brass castings.
- Includes high quality 2.4 mm thick silicone O-rings.

Specifications



Additional Information

Brand	Monsoon
SKU	MON-LP-90-34-BC
Weight	0.2000
Fitting Type	Connector
Fitting Size	3/4"
Fitting Angle	90 Degree
Fitting Finish	Black Chrome

