



Evercool 40 X 28mm Dual-Ball PWM Fan 3000-12000RPM 18.94CFM

Special Price
\$6.71 was
\$8.95

Product Images



Short Description

Brushless DC Fans feature higher speeds, longer life and less maintenance. Available in a variety of sizes to replace or upgrade DC fans in smaller electronic devices like your HDD rack, or PC notebook.

Description


Brushless DC Fans feature higher speeds, longer life and less maintenance. Available in a variety of sizes to replace or upgrade DC fans in smaller electronic devices like your HDD rack, or PC notebook.

Features

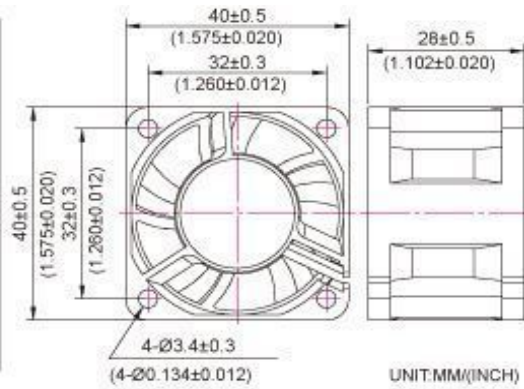
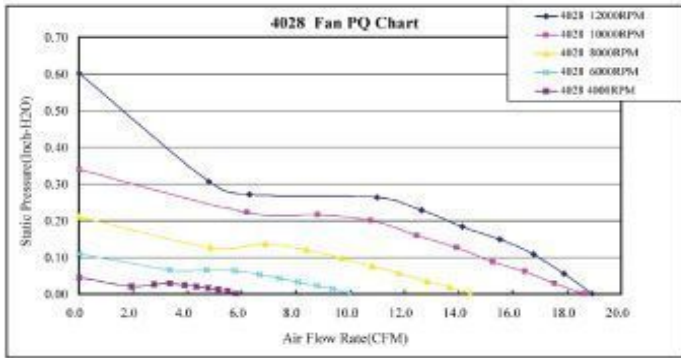
- Material:impeller&Frame:Plastic(UL 94V-0)
- Lead Wires: UL 1007 AWG #28 Or Equivalent / Red Wire Positive(+),Black Wire Negative(-),Yellow Wire Or Blue Wire Signal(FG)
- Function type is optional.
- The max air flow and the speed are measured in free air;max air pressure is measured at zero air flow.
- Noise is measured in anechoic chamber in free air,one meter from intake side.
- All readings are typical values at rated voltage.
- Specifications are subject to change without notice.
- Additional special function may be added according the requirement of customer.

Specifications

Model Type: EC-4028HH12BP / Dimension : 40x40x28mm

	Voltage	5V	12V			24V			
		V	V						
	Fan Speed	SL	LL	L	M	H	HH	TH	SH
		3500	4000	4500	5000	5500	6000	7000	9000
Certificate	UL	CE			TUV				
	V	V			V				
Bearing Type	Sleeve	1Ball		2Ball		EL			
	V	V		V		V			

P&Q Curve / Dimensions Drawing:



Model Number

System:

COMPANY
EVERCOOL

DIMENSIONS
2008:20x20x08 mm
8025:80x80x25 mm
8038:80x80x38 mm
9225:92x92x25 mm
9232:92x92x32 mm
12025:120x120x25 mm
12038:120x120x38 mm

Package type:
Bulk, PVC bag, Blister card

EC 8025 M 12 S X

MOTOR SPEED
SH: SPECIAL HIGH
FH: FOURFOLD HIGH
TH: TRIPLE HIGH
MH: MIDDLE HIGH
HH: DOUBLE HIGH
H: HIGH
M: MIDDLE
L: LOW
LL: DOUBLE LOW
SL: SPECIAL LOW

VOLTAGE
05: 5VDC
12: 12VDC
24: 24VDC

BEARING TYPE
C: One Ball and One Sleeve
B: Two Ball
S: Sleeve

FRAME SHAPE
Blank: Square Type
-B: Blower Fram Type
-H: Against Blade Type
-CL: Crystal LED
-C: Crystal

Function
A:FG Signal
P: Pulse-Width Modulation
T:TEMP. sensor
R:RD Signal
Blank:No Signal Output

Specifications:

Model	Voltage VDC	Current AMP	Input WATTS	Fan Speed RPM	AirFlow CFM	Pressure Inch-H2O	Noise dBA
EC4028M05X	5	0.32	1.6	8000	14.42	0.22	<37.4
EC4028L05X	5	0.22	1.1	6000	9.99	0.11	<31.2
EC4028LL05X	5	0.12	0.6	4000	5.81	0.05	<22.3
EC4028HH12X	12	0.44	5.28	12000	18.94	0.6	<46
EC4028H12X	12	0.3	3.6	10000	18.64	0.34	<42
EC4028M12X	12	0.16	1.92	8000	14.42	0.22	<37.4
EC4028L12X	12	0.12	1.44	6000	9.99	0.11	<31.2
EC4028LL12X	12	0.08	0.96	4000	5.81	0.05	<22.3
EC4028HH24X	24	0.26	6.24	12000	18.94	0.6	<46
EC4028H24X	24	0.2	4.8	10000	18.64	0.34	<42
EC4028M24X	24	0.14	3.36	8000	14.42	0.22	<37.4

EC4028L24X	24	0.08	1.92	6000	9.99	0.11	<31.2
------------	----	------	------	------	------	------	-------

B - Two ball bearing , C - One ball One sleeve bearing , S - Sleeve bearing

Additional Information

Brand	Evercool
SKU	EC4028HH12BP
Weight	0.2000
Color	Black
Fan Dimensions	40mm
Fan Width	28mm
Fan Connection	4-Pin PWM
Fan Voltage	12 VDC
Fan RPM	12000
Fan CFM	21
Fan Noise (dB)	46
Vendor SKU/EAN	4711158197431
Special Price	\$6.71

