



Monsoon 90° Rotary Angle Fitting - 1/2" - Orange

\$9.95

Product Images



Short Description

Designed to beautifully compliment the full line of Monsoon Free Center Compression Fittings. Rotary bodies

for each tube size are matched to the compression ring outside diameter for a clean modern aesthetic.

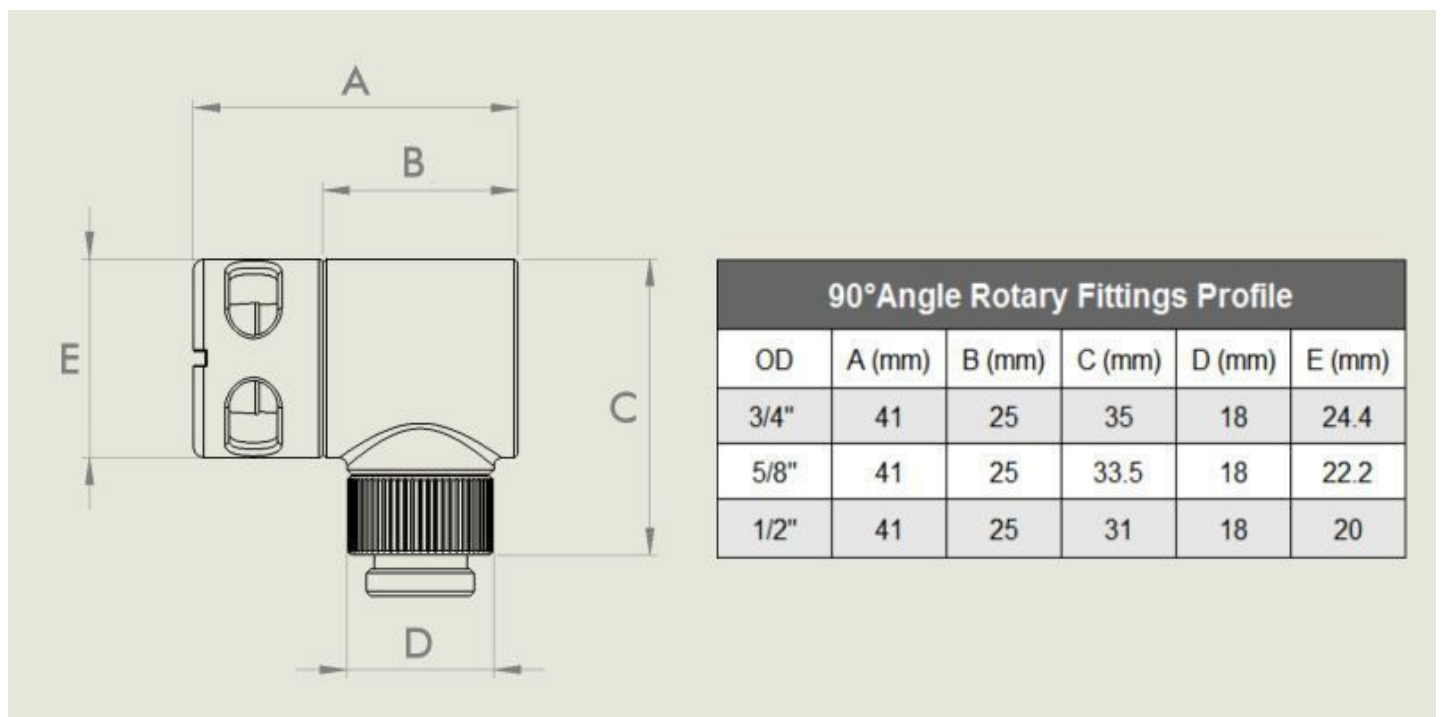
Description

Designed to beautifully compliment the full line of Monsoon Free Center Compression Fittings. Rotary bodies for each tube size are matched to the compression ring outside diameter for a clean modern aesthetic. Brass accent color disks and fittings are sold separately allowing you to mix and match main body and accent colors. This also allows you to change fitting and accent disk colors on future builds without replacing the rotary bodies.

Features

- Available in 45 and 90 degrees.
- Available in standard and patent pending Light Port versions.
- Color accent disks available in all 10 Monsoon color finishes allowing users to mix and match.
- Rotary body O.D. is matched to each tube size compression ring O.D. for a beautifully modern and clean aesthetic.
- Industry standard G 1 / 4 threads on both ends fit any compliant port or fitting.
- Machined from high quality solid brass castings.
- Includes high quality 2.4 mm thick silicone O-rings.

Specifications



Additional Information

Brand	Monsoon
SKU	MON-RO-90-12-OR
Weight	0.2000
Fitting Type	Connector
Fitting Size	1/2"
Fitting Angle	90 Degree

