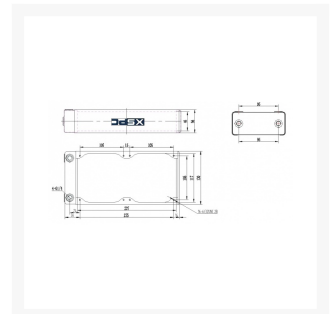




XSPC RX240 Dual-Fan Radiator V3 - Black

Special Price
\$54.99 was
\$69.95

Product Images



Short Description

The RX V3 is the highest performance radiator we have ever released and it's also the best performing radiator in its class. The radiator features two rows of 21mm x 2mm tubes along with split fins at 13 fpi (fins per inch). The V3 RX series has a matte black

finish and has copper and brass cores.

Description

The RX V3 is the highest performance radiator we have ever released and it's also the best performing radiator in its class. The radiator features two rows of 21mm x 2mm tubes along with split fins at 13 fpi (fins per inch). The V3 RX series has a matte black finish and has copper and brass cores.

Features

- Matt Black Painted Core
- Dimensions: 130 x 56 x 275mm (WxDxH)
- Copper and Brass Core
- Core thickness: 46mm
- 2 Rows of 21mm by 2mm Tubes
- 13fpi (fins per inch) Splitter Fin
- RoHS Compliant
- G1/4" Ports
- Weight: ~ g
- 6-32 Case and Fan Screws
- Fans: 2 x 120mm (4x with push/pull)

Specifications

Supplied 30mm and 6mm 6-32 UNC screws

Note: Barbs NOT included!

Warning!! Please check screw length before installing to ensure they are the proper length for your application. RMAs for radiator damage due to improper installation will not be authorized!

Reviews:



"XSPC RX360 V3 is one of the best value thermal performance radiators for 2014."

Read more [here](#).

Additional Information

Brand	XSPC
SKU	XSPC-RX240-BK-V3
Weight	4.0000
Color	Black
Radiator Size	240 (2 x 120mm)
Radiator Thickness	56mm
Vendor SKU/EAN	5060175585059
Special Price	\$54.99

