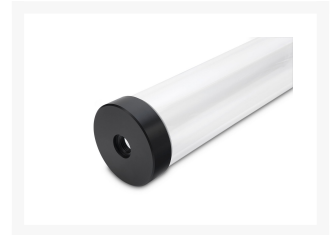


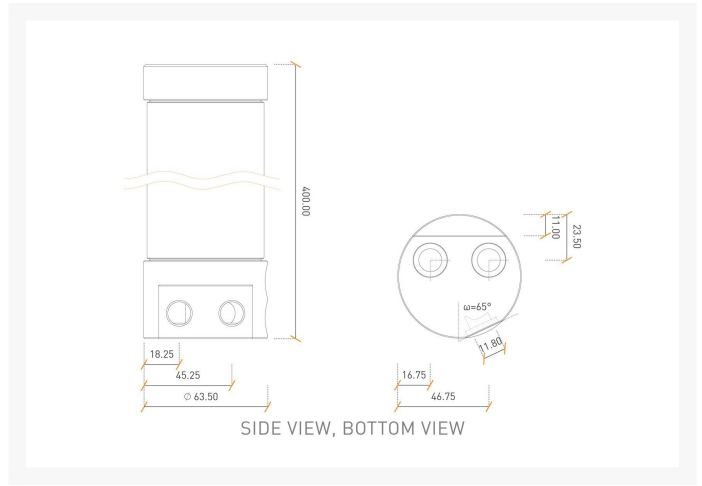


EK-RES X3 400 Reservoir

\$73.99

Product Images





Description

The EK-RES X3 reservoir from EK CSQ design line is an improved version of renowned EK-Multioption RES X2 reservoirs released three years ago. Compared to the EK-Multioption RES X2 product line, the EK-RES X3 reservoirs feature improved inlet/outlet port configuration for easier and more straightforward fitting configuration and tube routing. Improvements have been made on the reservoir's bottom terminal, which has been optimized for best flow. Vortex occurrence has also been diminished by the use of enclosed anti-cyclone as well as additional PE foam.

All these new features result in easier-than-ever mounting, filling, and the quickest bleeding of air.

The reservoir is manufactured from premium quality 60mm acrylic tube and POM Acetal end caps. The sealing is performed by quality EPDM rubber washers.

The new RES X3 comes with a pair of EK design reservoir holders using adjustable fastening force controlled by an enclosed Allen key.

Specifications

Technical data:

- Installation height: 400mm
- Diameter: 60mm
- Capacity: ~820ml
- Weight (netto): 525g

Enclosed within delivery:

- EK-Multioption RES X3
- Pair of EK reservoir holders with mounting screws
- 2 × G1/4 extenders
- 4 × G1/4 Plugs
- 1 × 6mm Allen key for plugs
- 1 × 2.5mm Allen key for reservoir holders

- 1 × polyether anti-cyclon foam

Made in Slovenia - EU!

IMPORTANT NOTES:

1. When using ports #3, #4 or #6 it is mandatory to use the enclosed EK-Extender G1/4 (EAN: 3831109845165) due the ports being recessed into the plastic Reservoir Bottom.
2. When using EK-Extender G1/4 make sure not to use fittings or barbs with G1/4 thread longer than 5mm! All EK-PSC and High Flow fittings are compatible!
3. When using ports #1 and #2 make sure not to use fittings or barbs with diameter larger than 25mm! All EK-PSC and High Flow fittings are compatible!
4. EK recommends the use of EK-PSC fittings. When using fittings other than EK-PSC series please use hose clamps or appropriate substitute to secure the tubing to the barb. The use of biocide containing and corrosion inhibiting coolant is always recommended for any liquid cooling system.
5. Port #6 of EK-RES X3 series reservoir should only be used to connect this reservoir with external fill port!

Additional Information

Brand	EK Waterblocks
SKU	EK-RES-X3-400
Weight	3.5000
Color	Clear
Reservoir Type	Tube Res
Tube Res Length	400mm
Vendor SKU/EAN	3831109841037

