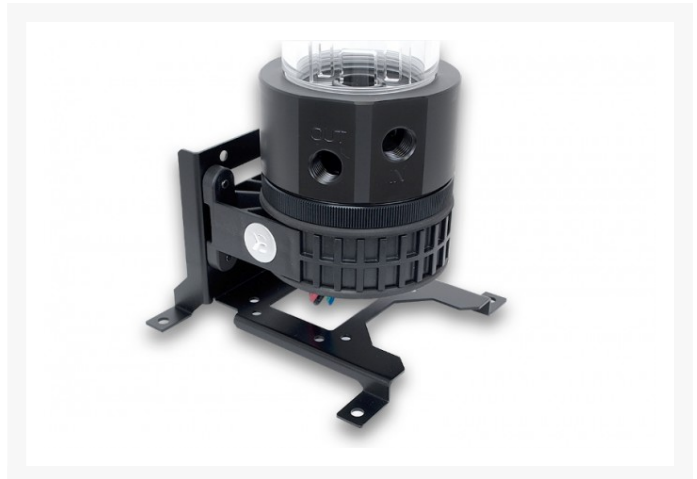




# EK-XRES 100 Revo D5 Pump Reservoir - Acetal

\$75.99

## Product Images



## Short Description

---

High performance aftermarket pump top (volute) for Xylem D5 PWM series water pumps with integrated reservoir. This top offer increased hydraulic performance (up to 15%) compared to factory top. The EK-XRES Revo series features a fully rounded design thus offering greater usability, allowing installation at any angle within 360° of rotation.

## Description

---

High performance aftermarket pump top (volute) for Xylem D5 PWM series water pumps with integrated reservoir. This top offer increased hydraulic performance (up to 15%) compared to factory top.

The EK-XRES Revo series features a fully rounded design thus offering greater usability, allowing installation at any angle within 360° of rotation. Special rubber shock absorber is used to de-couple the the main pump body from the mounting clip for silent operation, free of vibration induced noise. Additionally, horizontal and vertical positioning are supported for easier tube routing possibilities.

EK-XRES 100 Revo D5 series reservoirs comes preinstalled with anti-cyclone insert. Additionally a PU anti-vortex foam and EK-HD Tube are enclosed.



Tube is made of quality acrylic material, while the volute / reservoir bottom is made of quality POM Acetal material.

EK-XRES 100 Revo D5 pump can also be upgraded with either EK-UNI Pump Bracket (120mm FAN) - [Regular](#) or [Vertical](#) which allow installation of the product in any position with 120mm type fan hole pattern as shown on the picture below:



This reservoir

can be easily upgraded with [longer acylic tubes](#) used by EK-RES X3 series reservoirs.

## Specifications

---

0

## Additional Information

---

Brand	EK Waterblocks
SKU	EK-D5-XRES-100-REVO-D
Weight	2.0000
Color	Clear
Pump Type	Xylem D5 PWM
Material	Delrin (POM)
Vendor SKU/EAN	3831109843055

