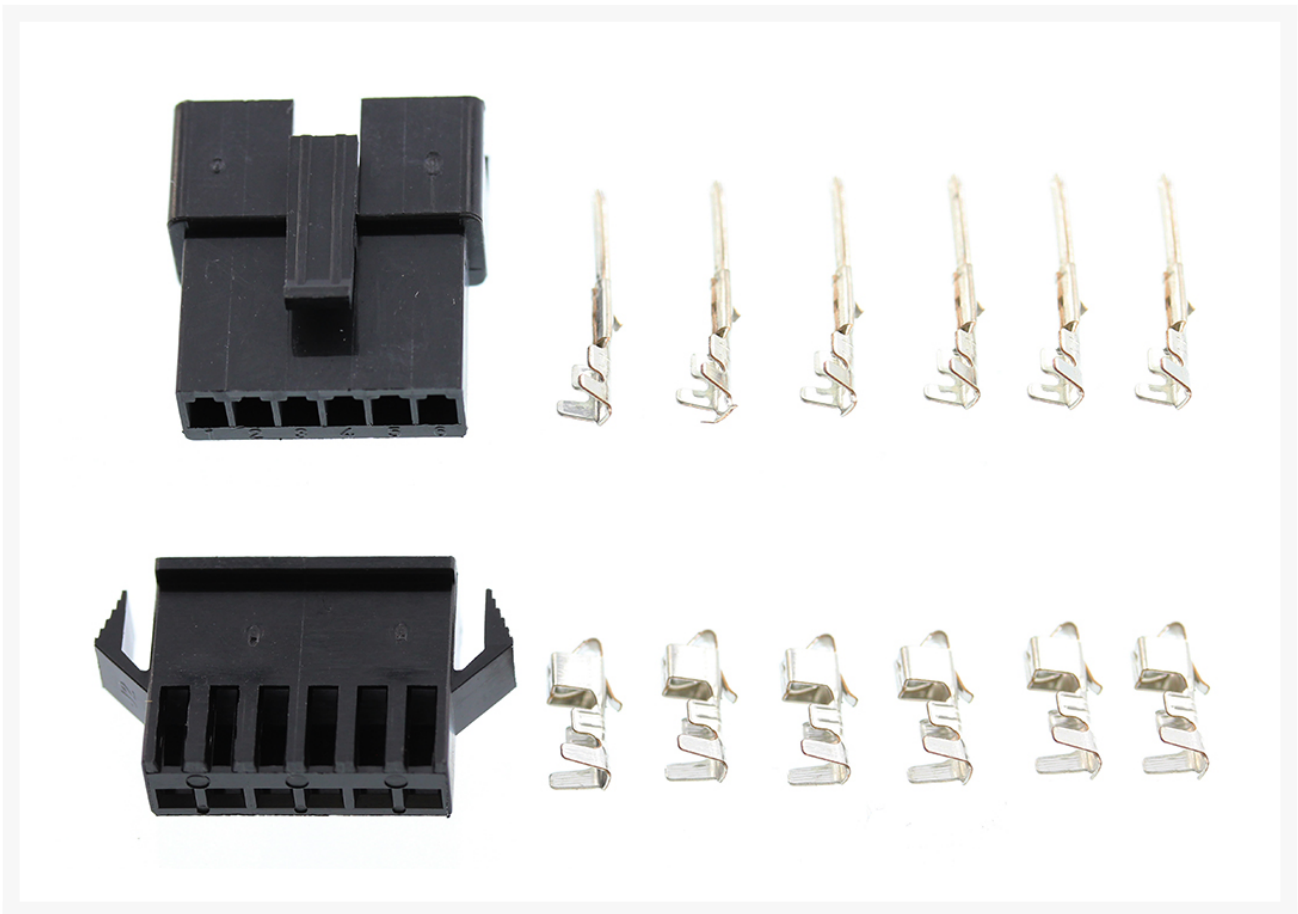




ae Male and Female Terminal Adaptor JST 2.54MM SM2.54 6-Pin Electrical Wire Connectors (includes pins)- 6 pin

\$0.39

Product Images



Short Description

PPCS Male and Female Terminal Adaptor JST 2.54MM SM2.54 6-Pin Electrical Wire Connectors (includes pins)-6 pin

Description

PPCS Male and Female Terminal Adaptor JST 2.54MM SM2.54 6-Pin Electrical Wire Connectors (includes pins)-6 pin

Specifications

- Pitch:2.54mm
- Useable wire range:AWG28#-22#
- Voltage rating:250V AC/DC
- Current rating:3A AC/DC
- Working temperature:-25 to 85
- Withstand voltage:1000V/min
- Contact resistance:less than 0.01Ohm
- Insulation resistance:high than 1000MOhm

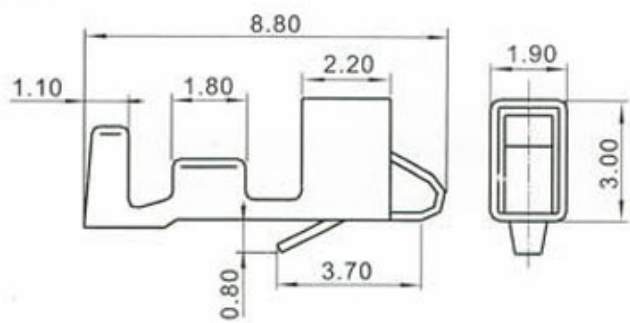
Material

Housing:Nylon 66 UL94V-0

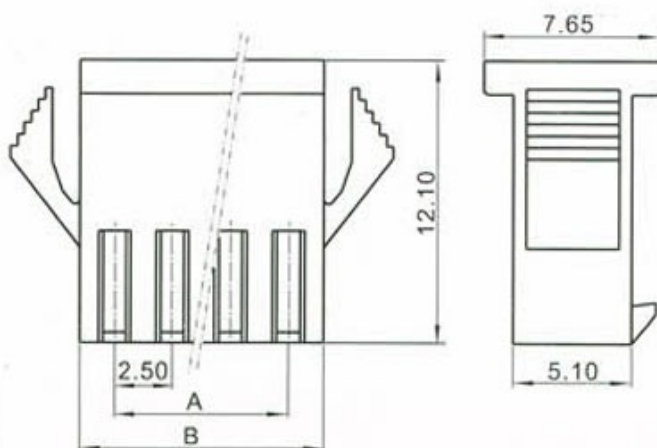
Terminal:Phosphor bronze

Products Show

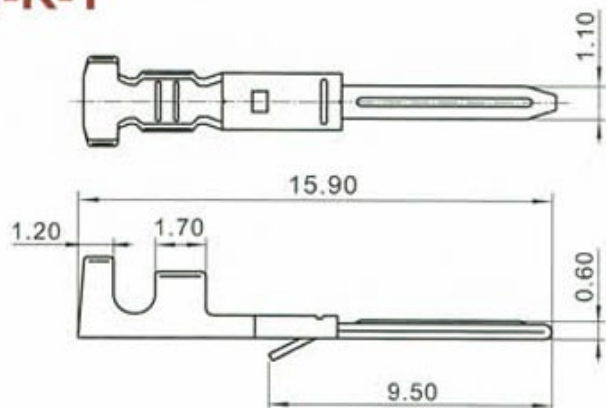
SM-P-T



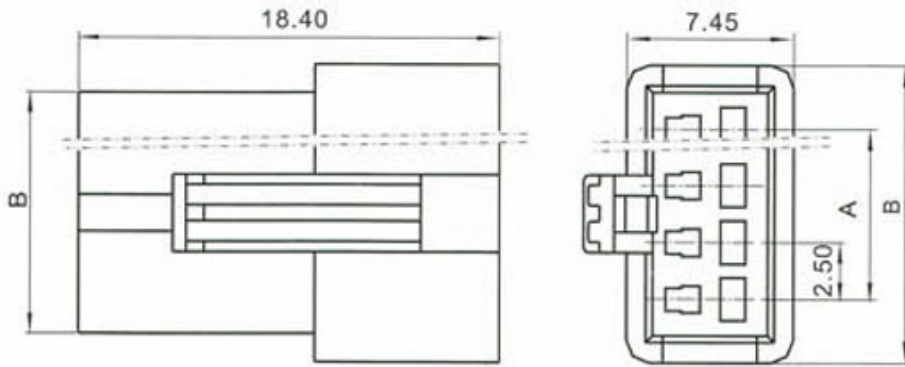
SM-P



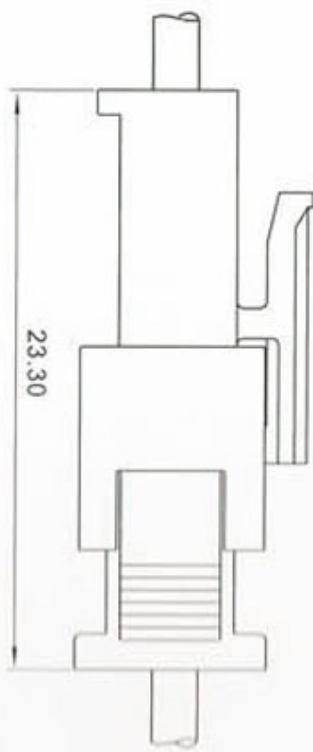
SM-R-T



SM-R



Installation size



Poles	Type		A	B
2	SM-2P	SM-2R	2.50	5.50
3	SM-3P	SM-3R	5.00	8.00
4	SM-4P	SM-4R	7.50	10.50
5	SM-5P	SM-5R	10.00	13.00
6	SM-6P	SM-6R	12.50	15.50
7	SM-7P	SM-7R	15.00	18.00
8	SM-8P	SM-8R	17.50	20.50
9	SM-9P	SM-9R	20.00	23.00
10	SM-10P	SM-10R	22.50	25.50
11	SM-11P	SM-11R	25.00	28.00
12	SM-12P	SM-12R	27.50	30.50

Additional Information

Brand	AE
SKU	AE-JST-6PIN
Weight	0.0500
Color	Black
Connector Type	JST
Gender	Male/Female Set
Pins	6

