

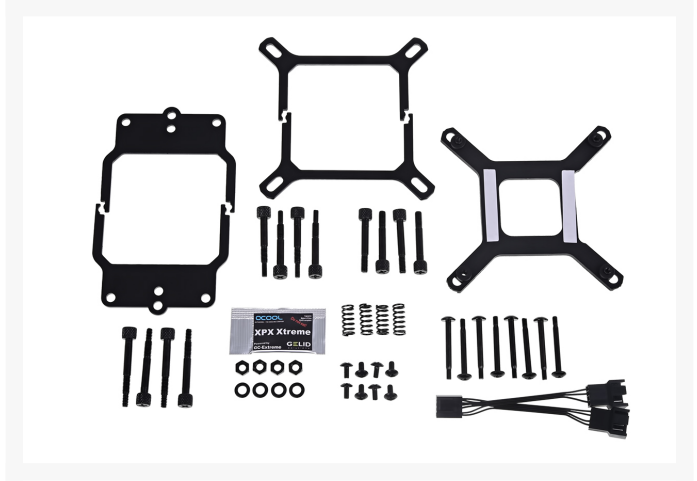


Alphacool Eisbaer 240 CPU - Black

\$120.22

Product Images





Short Description

With the “Eisbaer”, Alphacool is fundamentally revolutionizing the AIO cooler market. Where traditional AIO CPU-coolers are disposable products which are neither upgradeable nor refillable, the Alphacool “Eisbaer” is modularly built and can be upgraded, rebuilt or refilled at any time. This means that the “Eisbaer” is not only an AIO, but also fully built on classic water cooling components. That means it is quieter and more powerful than the average AIO solution.

Description

With the “Eisbaer”, Alphacool is fundamentally revolutionizing the AIO cooler market. Where traditional AIO CPU-coolers are disposable products which are neither upgradeable nor refillable, the Alphacool “Eisbaer” is modularly built and can be upgraded, rebuilt or refilled at any time. This means that the “Eisbaer” is not only an AIO, but also fully built on classic water cooling components. That means it is quieter and more powerful than the average AIO solution.

Features

Radiator

Alphacool depends on a radiator made of pure copper. The base of the radiator is the popular Alphacool NexXoS series, which is well-loved around the world. The pure copper construction raises the cooling performance enormously compared to the usual aluminium radiators used in classic AIOs. The slight thickness of the fins ensures enormous cooling power in fans with low rotational speed. This ensures that the performance of the “Eisbaer” when adjusting the fans down decreases much more slowly than in radiators with higher fin thickness.

Hoses

The flexible PVC hoses make installing the “Eisbaer” easy. These hoses are easier to arrange and move into the right position. So the hoses don't bend and stop the flow of the water, both hoses have been fitted with anti-kink springs. The 11/8 mm size is also a standard in the water cooling field, alongside the 13/10 and 16/10.

Quick-lock closure

The “Eisbaer” was designed with expandability directly in mind. This is why you'll find a quick-lock closure on one of the hoses. This quick-lock mechanism is compatible with Alphacool HF quick-lock closures (1010383, 1010394, 1010395, 1010442), with which the circuit can easily be expanded to include anything from a radiator to a graphics card cooler. Furthermore, the “Eisbaer” is compatible with the upcoming Alphacool GPX-Pro graphics card AIO, which will use identical quick-lock closures.

Fans

The “Eiswind” fans were developed specially for radiators and generate a high static pressure in order to push cool air through the fan blades. Both fans can be regulated with PWM to anywhere in an enormous range from 550 to 1700 RPM. A PWM Y-adaptor is included with the “Eisbaer” so that both fans can be controlled by the motherboard or a separate fan control with a PWM connection.

Connectors

All connectors are based on the classic G1/4 inch thread, the standard thread in the water cooling field. This way, all attachments can be switched out for others any time as desired. This also means that, for example, you could later decide to switch to thicker hoses or even HardTubes and set your system uniquely apart.

All these features make the “Eisbaer” cooler into something extraordinary. Its enhanced appearance from the illuminated logo and the illuminated reservoir, which also contains the pump, lets the interior of your PC shine in a whole new way. The soft-touch surface of the pump case is a further visual highlight.

With the “Eisbaer”, you get an all-around perfect product that is not only extremely high-powered but also works very quietly.

Pumps

The basis of the pumps is the Alphacool DC-LT Ceramic Ultra Low Noise, also available separately. The pump runs extremely quietly and can be regulated to between 7 and 12V. It can also be regulated through the motherboard. If the "Eisbaer" is being run alone, the 7V setting will still have next to no performance loss, as shown in diverse test results. The insulated pump case further perfects the noise generation and ensures that vibrations are almost completely absorbed.

The smooth and shiny polished copper base of the cooler ensures optimal heat absorption and can relay the heat over the fine slit structure of the cooler to the water quickly and efficiently.

Specifications

Technical Details:

CPU Performance:	Excellent
Hose dimensions:	11/8mm
Manufacturer:	Alphacool
Prefilled:	Yes
Radiator Thickness:	30mm
Radiator size:	2x120mm
Socket:	AMD 604/771/G34, AMD 939/AM2/AM2 /AM3/AM3 /FM1/FM2, Intel 1150/1151/1155/1156, Intel 1366, Intel 2011, Intel 775

Pump (Alphacool DC-LT 2600 Ultra low noise Ceramic):

- Speed: 2600 RPM
- Voltage: 7-13.5V DC
- Power consumption: 4W
- Maximum flow rate: 70L/h
- Maximum head: 0.85m

Fan (Eiswind 12):

- Bearing: sleeve bearing
- Voltage: 12V
- Power connection: 4-pin PWM
- Rated speed: 550-1700 (+/- 10%)
- Airflow: 63.85 cfm / 108 m3/h
- Static pressure: 1.66 mmH2O
- Volume: 29 dB(A)

Scope of Delivery:

- 1x Alphacool Eisbaer 240 CPU - Black
- 1x Intel Backplate
- 1x Intel bracket

- 1x AMD bracket
- PWM Adapter
- Mounting material
- Thermal paste

Additional Information

Brand	Alphacool
SKU	AC-11285
Weight	6.0000
Color	Black
Block CPU Type	Intel/AMD
Vga	AMD Radeon RX 6800XT Nitro+
Pump Type	DC-LT
Radiator Size	240 (2 x 120mm)
Radiator Thickness	30mm
Vendor SKU/EAN	4250197112857

