



Thermaltake Core P100 Pedestal

\$149.99

Product Images



Short Description

Thermaltake presents the latest TT Premium product line which follows the core values of Excellent Quality, Unique Design, Diverse Combinations and Boundless Creativity. Under this product line is the new Core W Series – Core W100 and Core WP100 super tower chassis with the Core P100 pedestal chassis – to deliver versatility in different superior looks.

Description

Thermaltake presents the latest TT Premium product line which follows the core values of Excellent Quality, Unique Design, Diverse Combinations and Boundless Creativity. Under this product line is the new Core W Series – Core W100 and Core WP100 super tower chassis with the Core P100 pedestal chassis – to deliver versatility in different superior looks.

Extend your cooling expectations with the Thermaltake Core P100 Pedestal. Designed for the Core W100 chassis, the P100 adds more expandability to users who is looking for additional cooling and power performance. Separate or super charge your system configurations with an optional PSU mount. Gain more cooling performance with fan/radiator brackets that offer the support for 4 x 120mm or 4 x 140mm solutions or isolate and free up the main chassis space with the storage rack support. Dive into a new world of possibilities with the Core P100 Pedestal from Thermaltake.

Features

Extend your cooling expectations with the Thermaltake Core P100 Pedestal. Designed for the Core P100 chassis, the P100 adds more expandability to users who is looking for additional cooling and power performance. Separate or super charge your system configurations with an optional PSU mount. Gain more cooling performance with fan/radiator brackets that offer the support for 4 x 120mm or 4 x 140mm solutions or isolate and free up the main chassis space with the storage rack support. Dive into a new world of possibilities with the Core P100 Pedestal from Thermaltake.



TT Premium

To continue achieving the corporate mission of delivering the perfect user experience, Thermaltake developed “TT Premium” with the essence of combining supreme quality products with a new logo design. TT Premium is far more than just a guarantee of quality. Behind the name, it represents the passion in DIY, Modding and Thermaltake’s desire to be the most innovative brand in the PC hardware market. To satisfy the demand of the high-end PC users, TT Premium follows its core values of Excellent Quality, Unique Design, Diverse Combinations and Boundless Creativity to provide a high performance PC product for every enthusiast.



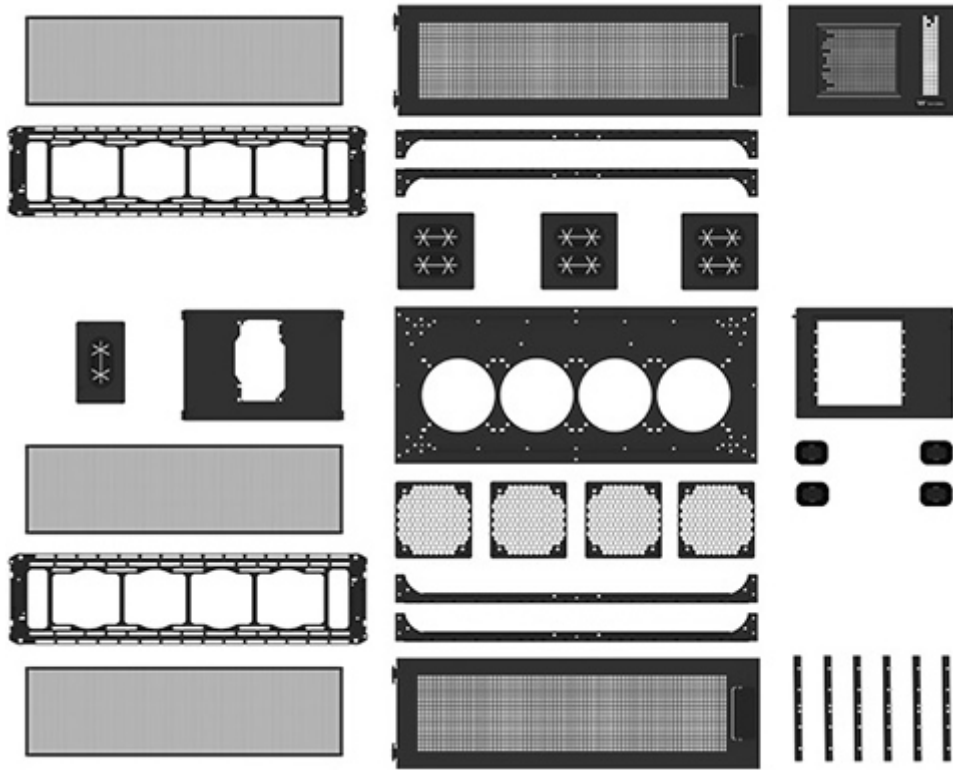
Tt LCS Certified is a Thermaltake exclusive certification applied to only products that pass the design and

hardcore enthusiasts standards that a true LCS chassis should be held to. The Tt LCS certification was created so that we at Thermaltake can designate to all power users which chassis have been tested to be best compatible with extreme liquid cooling configurations to ensure you get the best performance from the best features and fitment.



DMD - Dismantlable Modular Design

Being as the first chassis with full assembly concept, the Core W Series is a great new challenge for makers to start from zero by putting every piece together to complete a high-end system. With freely interchangeable HDD cage sections, the Core P100 offers more for maximum interior space. Take advantage to include high-end, maximum capacity, cooling allotment without the reduction of GPU length limitations when incorporating liquid cooling expansion for the ultimate in cooling performance.

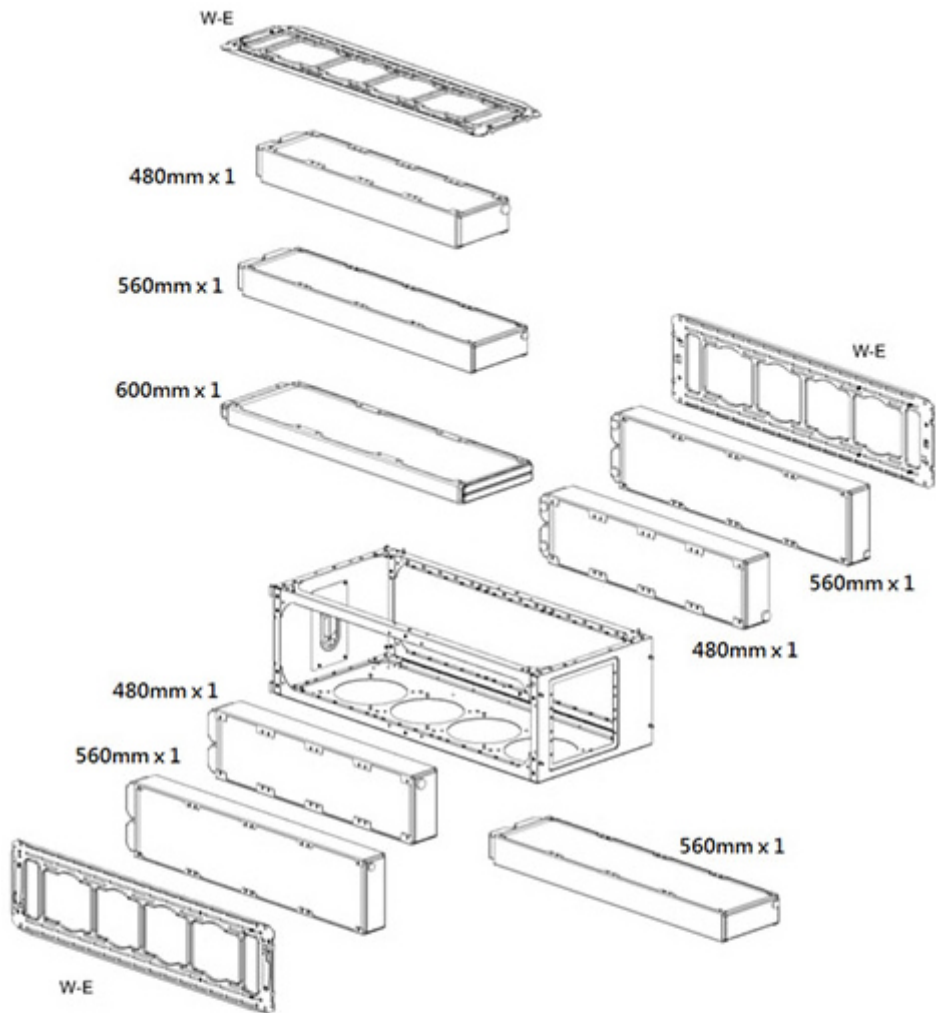


Versatile Expandability

With its stacking design, the Core P100 and the Core W100 make two different combinations: by stacking Core P100 on the top or at the bottom of Core W100. The mix and match of Core WP100 offers an expandable system allowing enthusiasts to incorporate externally-modular upgrades. Stacked together, the chassis opens up space to expand the liquid cooling system, the storage solutions, or even create dual systems, thereby enabling a dedicated top/bottom set-up for pure cooling. When stacked, the maximum radiator length supported is 600mm on the front side.

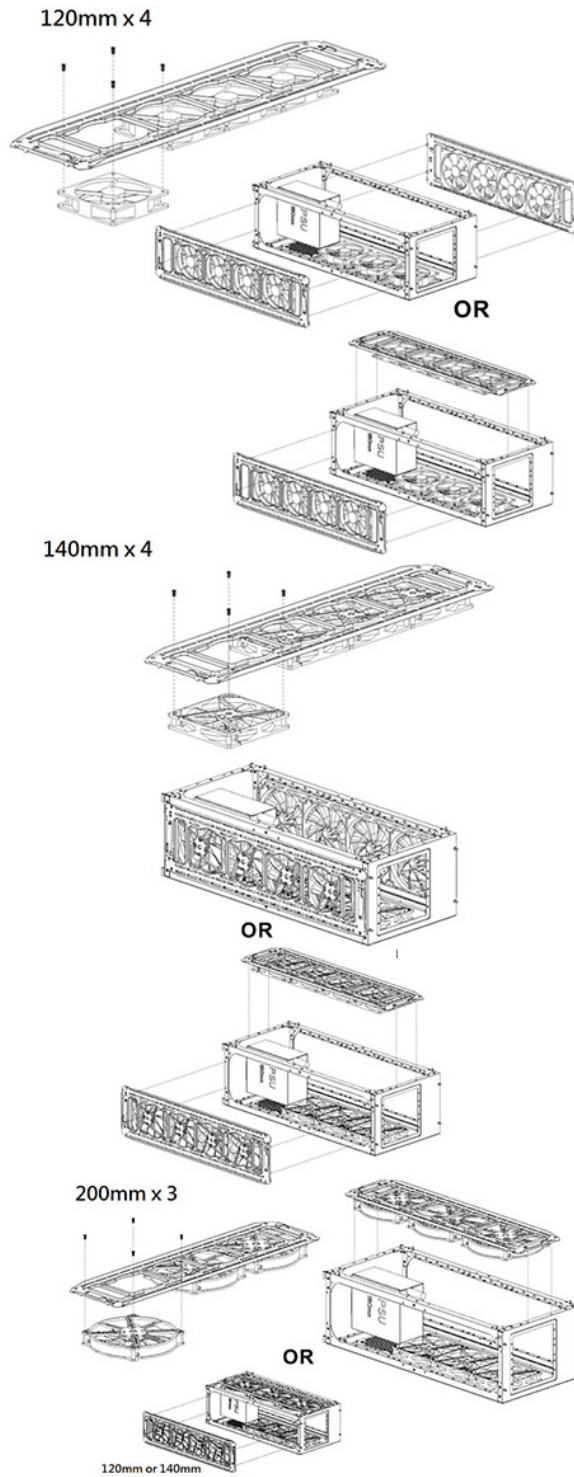


Core P100 Radiator Supporting List



Radiator Compatibility List											
	120 mm	240 mm	280 mm	360 mm	140 mm	280 mm	420 mm	560 mm	200 mm	400 mm	600 mm
Front											
Top	*	*	*	*	*	*	*	*	*	*	*
Rear											
Bottom					*	*	*	*			
Right Side	*	*	*	*	*	*	*	*			

Core P100 Fan Supporting List



Fan Compatibility List			
	120mm	140mm	200mm
Front	-	-	-
Top	4	4	3
Rear	-	-	-
Bottom	4	4	-
Side (L/R)	4	4	-

Thermaltake Compatible Fan			
	120mm	140mm	200mm
Pure Fan Series	*	*	*
Luna Fan Series	*	*	*
Odin Fan Series	*	*	

Specifications

Model	Core P100
P/N	CA-1F1-00D1NN-00
Case Type	Pedestal
Dimension (H x W x D)	249 x 310 x 678 mm (9.8 x 12.2 x 26.7 inch)
Net Weight	8.7 kg / 19.2 lb
Side Panel	No Window
Color	Exterior & Interior : Black
Material	SPCC
PSU	Standard PS2 PSU (optional)
Fan Support	Top: 4 x 120mm , 4 x 140mm , 3 x 200mm Left / Right Side: 4 x 120mm , 4 x 140mm Bottom: (Without PSU) 4 x 120mm , 4 x 140mm Top: (Without PSU) 1 x 480mm , 1 x 560mm , 1 x 600mm
Radiator Support	Left / Right Side: 1 x 480mm , 1 x 560mm Bottom: (Without PSU) 1 x 560mm

Additional Information

Brand	Thermaltake
SKU	CA-1F1-00D1NN-00
Weight	27.0000
Color	Black
Case Accessory Type	Stands/Feet
Vendor SKU/EAN	841163062999

