

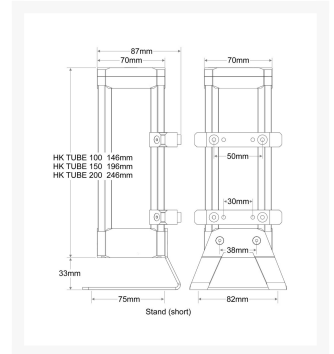


WATERCOOL

# Watercool HEATKILLER® Tube 200

\$92.95

## Product Images



## Features

Large filling mouth

Thanks to a large filling mouth and a bayonet catch lid the HEATKILLER® Tube Series reservoirs can be opened without any tools and is easy to fill. It has never been easier to re-fill a cooling medium.

## Borosilicate glass tube

Borosilicate is a glass with very high chemical and thermic resistance. It is scratch-resistant and has very low heat expansion. These outstanding features make borosilicate an ideal material for reservoirs.

## Three sizes

To account for different space availability in current cases, the HEATKILLER® Tube Series reservoir glass tubes are available in sizes 100mm, 150mm and 200mm.

## Three versions

Besides a standalone version, there are versions with direct connections for pumps. They support D5 and DDC pumps by Lowara (formerly known as Laing) and their derivatives.

## Large volume

In designing the HEATKILLER® Tube Series, we took great care not to waste any of the available volume. That makes the HEATKILLER® Tube Series reservoirs very low maintenance, because they need fewer re-fills.

## Anti- Cyclone-effect

The exclusively developed anti-cyclone-inlay which is located at the bottom of the reservoir prevents vortices that easily form in reservoirs. This reduces noise levels and makes air bleeding easier.

## Streaming-optimized pump chambers

The pump adapter for D5 and DDC pumps comes with a streaming optimized pump chamber. This causes fewer vortices during use, which has a positive effect on both flow rate and air bleeding.

## Made in Germany

The HEATKILLER® Tube Series reservoirs are completely produced in Germany.

## Extensive optional accessories

The HEATKILLER® Tube Series reservoirs have various optional features, for example:

### Variable Mounting systems

For optimal integration into a water cooled system we offer different mounting systems to fit your build.

#### ...horizontal mount (pedestal)

Two different height pedestals are available for mounting the HEATKILLER® Tube Series reservoir to the case floor or free-standing.

#### ... vertical mount

A multifunctional bracket mount offers options for vertical montage. Several adapters are available. Some can be used to attach the reservoir to 120x120mm or 140x140mm cooler slots. Others allow for a montage of the reservoir on a radiator from the MO-RA3 series.

## Illumination

HEATKILLER® Tube Series reservoirs can be set in scene with LED illumination. We offer splash-safe LED strips in various colors. The strips are hidden in the struts of the reservoir cage.

## Colored struts

To customize your HEATKILLER® Tube Series you can exchange the default struts. We offer aluminum struts in natural color or with a choice of anodized colors.

## Specifications

---

Material cover: POM  
Material struts: black anodized aluminium  
Tube: borosilicate glass  
Material bottom: POM  
Material Inlay: stainless steel  
Measurements (L x W x H): 70 x 70 x 198,5 mm  
Tube length: 150mm  
Tube diameter: 65mm  
Capacity: aprox. 375ml  
Weight: aprox. 780g  
Seal: NBR, VMQ  
Connection thread: 2x G ¼ inch (DIN ISO 228-1)

Scope of delivery:  
1x HEATKILLER® Tube 150  
1x manual

## Additional Information

---

Brand	Watercool
SKU	WC-30202
Weight	2.2500
Color	Clear
Reservoir Type	Free Standing Tank
Tube Res Length	200mm

