

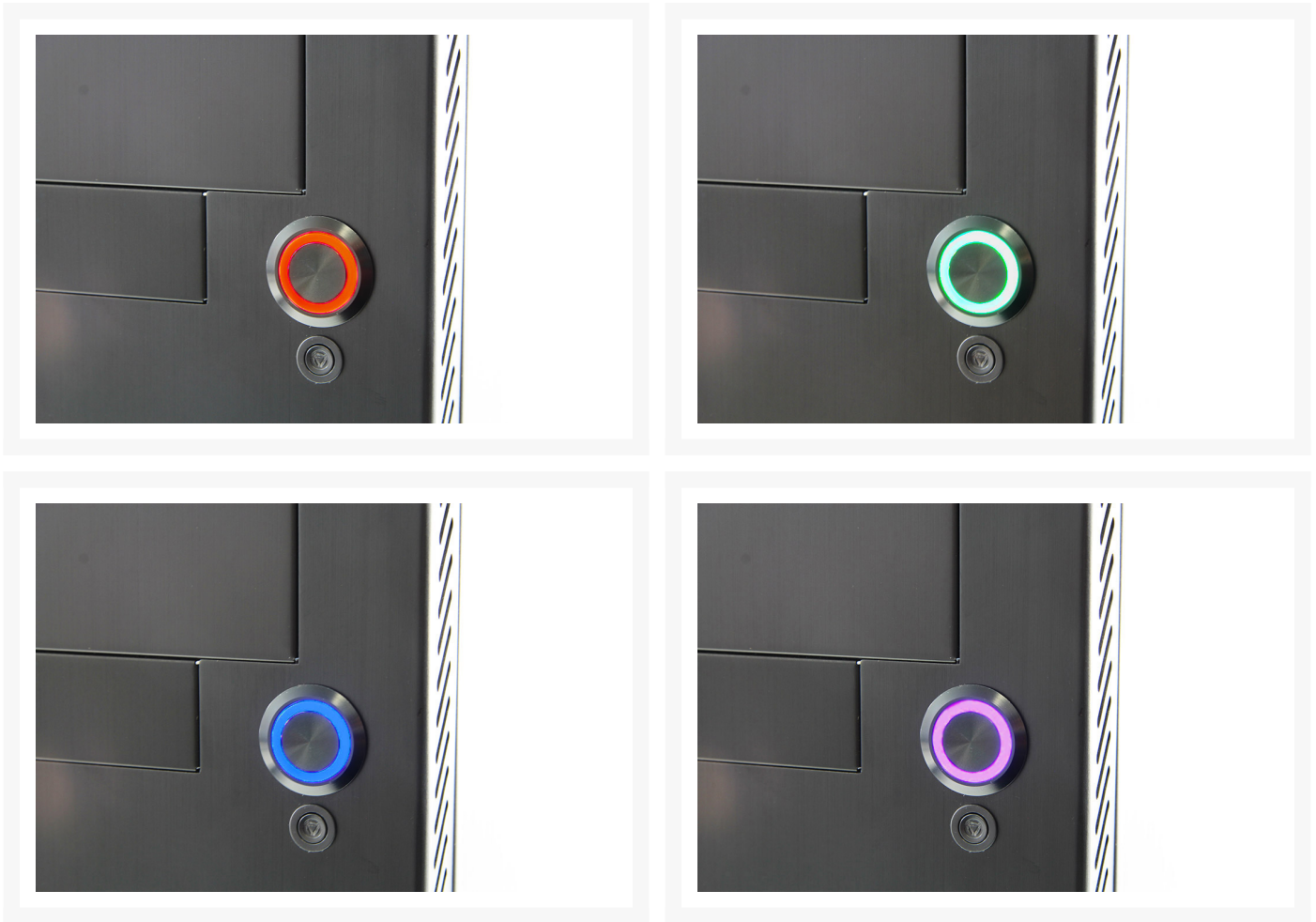


ModMyToys Anodized Illuminated Switch - Black - 25mm Latching - RGB Ring

\$14.95

Product Images





Short Description

Trying to set your Rig apart from all the rest? Then pick up some of these RGB Switches they will add that extra little sparkle to your Rig!

We carry them both as momentary and latching switches and they come in both black and silver. When turned on, the ring around the push button illuminates and blends through vivid Red's Green's and Blue's.

Description

Trying to set your Rig apart from all the rest? Then pick up some of these RGB Switches they will add that extra little sparkle to your Rig!

We carry them both as momentary and latching switches and they come in both black and silver. When turned on, the ring around the push button illuminates and blends through vivid Red's Green's and Blue's.

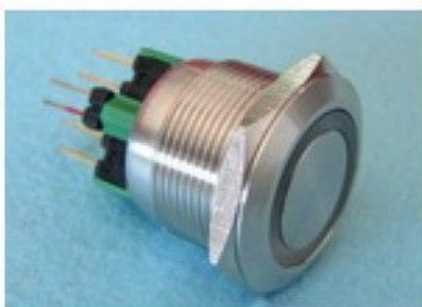
Manufactured from Aluminum and then anodized, this extensive range of vandal resistant security switches are designed for use in potentially hostile environments, such as access control applications or, in the case of pc modders, powering up your case to "on" or for use as a reset button.

*Please Note: This RGB Switches work best with RGB Controllers to help switch between colors and functions. Listed below are the controllers that have been tested and confirmed compatible.

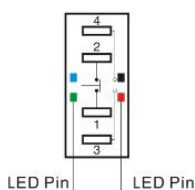
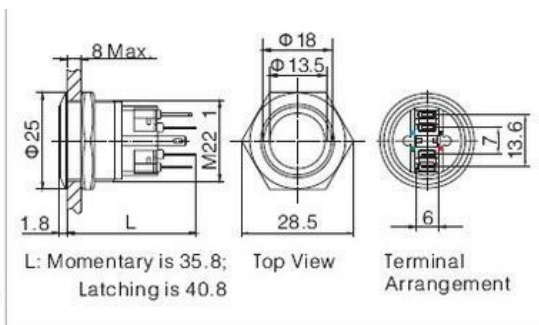
- RGB 44 Key IR Remote Controller RGB LED Dimmer 12V For SMD 5050 3528 LED Strip Bulb Light Mini RGB Controller - PPCS-RGB-CON44

Specifications

- Install diameter: 25mm Bezel/22mm Shaft
- Switch rating: 3A/250VAC
- Shape: Flat head
- Function: Latching (1NO1NC)
- Led type: Ring illuminated
- Color: Red/Green/Blue
- Voltage: From 6v to 48v
- Crust material: Aluminum
- IP rating: IP65
- Temperature: - 40 to 75 Degree
- Common Anode



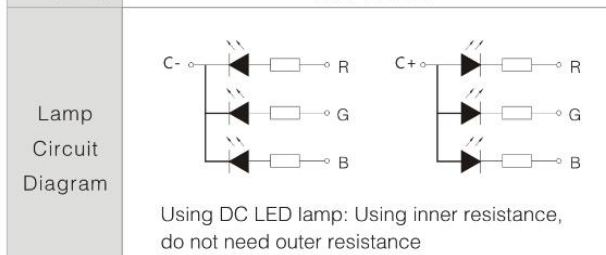
- ⊙ Φ 22mm Diameter
- ⊙ Switch Rating: Ith:3A, Ui:250V
- ⊙ Contact Configuration: 1NO1NC
- ⊙ Operation Type(■); Momentary / Latching(Z)
- ⊙ Tricolor Ring Illuminated
- ⊙ LED Color(Δ): **R G B**
- ⊙ LED Voltage(\blacktriangle): 6V/12V/24V
- ⊙ The Crust Material(\odot): Stainless steel(S)/ Zn-Al Alloy(black)
- ⊙ IP Degree: IP65,IK10



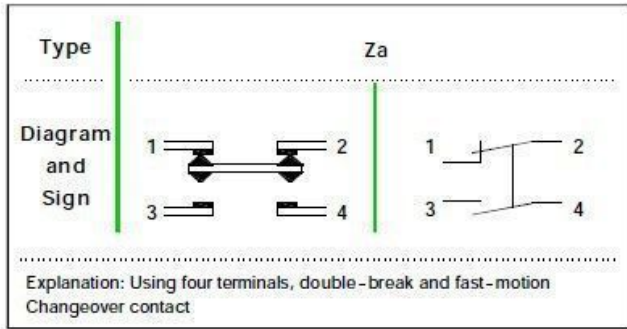
1,2,3,4 are one set; 1,2 are normal closed(NC); 3,4 are normal opened(NO).
 ■■ are LED pin, ■ is common pin, ■ connects to resistor, connecting ■■ shows red, connecting ■■ shows blue, and connecting ■■ shows green.
 The lamp and switch are relatively independent and can use switch or peripheral circuit to control the lamp state.

Lamp Rating >>

Lamp Type	Tricolor LED Lamp (DC)		
LED Color	R G B		
Life	40000 hours (Reference)		
Rated Voltage	DC6V	DC12V	DC24V
Rated Current	About 10mA		
Dropping	Inner resistor		



Switching Operation(PM221,PM251)



Switching Operation(PM221,PM251)

Rated Insulation Voltage Ui			250V			
Thermal Current Ith			3A			
Rated voltage			12V	24V	110V	220V
Rated Operation Current	AC 50/60Hz	Resistive load	—	—	5A	3A
		Inductive load	—	—	3A	2A
Current	DC	Resistive load	5A	5A	1A	0.5A
		Inductive load	2A	2A	0.2A	0.1A
Contact material			Silver Alloy			

Minimum load: 3V AC/DC,5mA (Reference)

Application scope depends on operating environment and load type

Additional Information

Brand	ModMyToys
SKU	MMT-SW25LAT-BK-RGB
Weight	0.1000
Color	Black
Switch Type	Vandal (Latching)
LED Color	RGB
Material	Aluminum

