

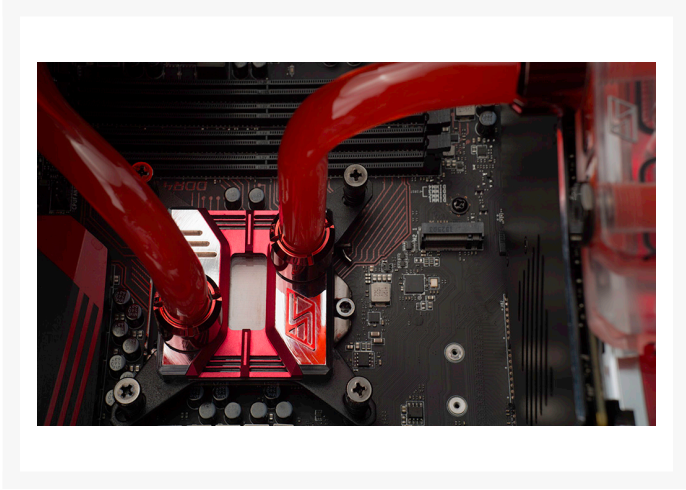
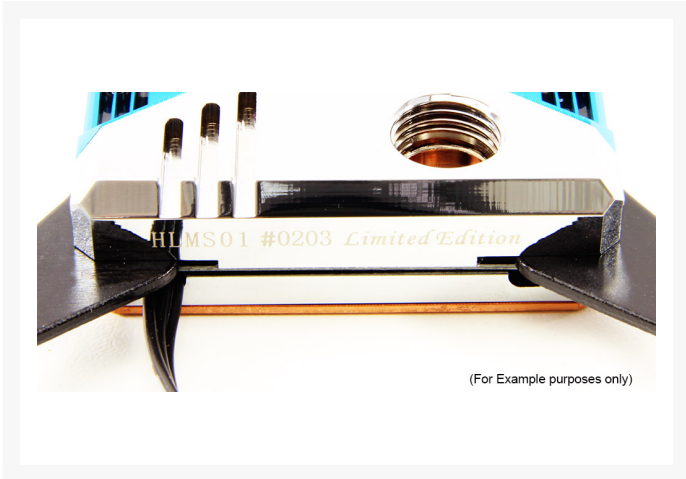


# Swiftech Apogee SKF "Heirloom Series" - White Chrome

\$89.95

## Product Images





## Short Description

The Swiftech Apogee™ SKF is a highly innovative CPU waterblock featuring a revolutionary cooling engine and customization options that allows users to go beyond their limits.

## Description

---

The Swiftech Apogee™ SKF is a highly innovative CPU waterblock featuring a revolutionary cooling engine and customization options that allows users to go beyond their limits.

## Features

---

Ahead of its time.

Out of the box, the Apogee SKF is compatible with all current and upcoming CPU's: From Intel's LGA 115x, 2011, 2011-v3 and 2066, to AMD's legacy AM2/3, AM4 and upcoming SP3/FR4.

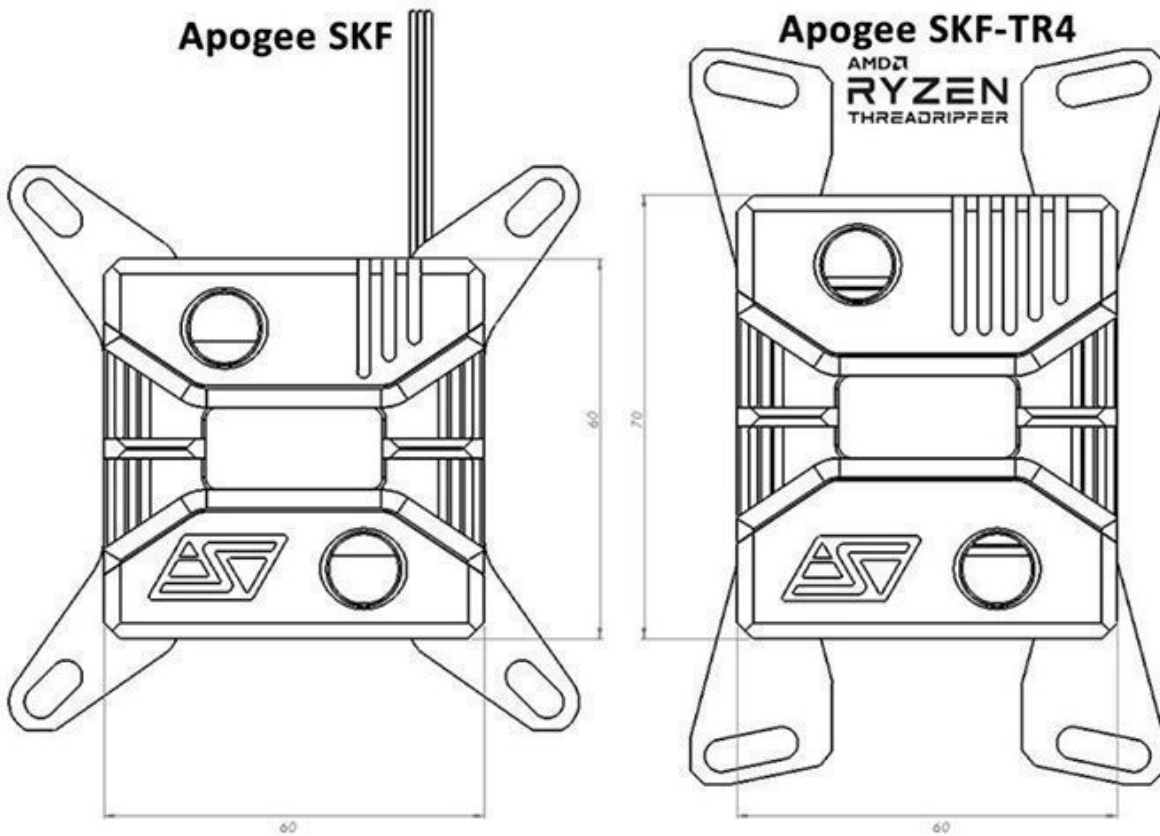
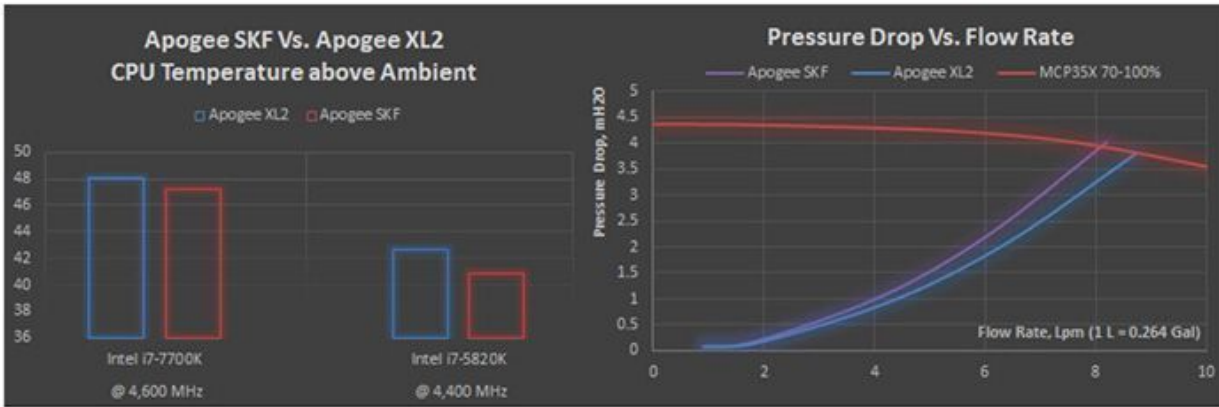
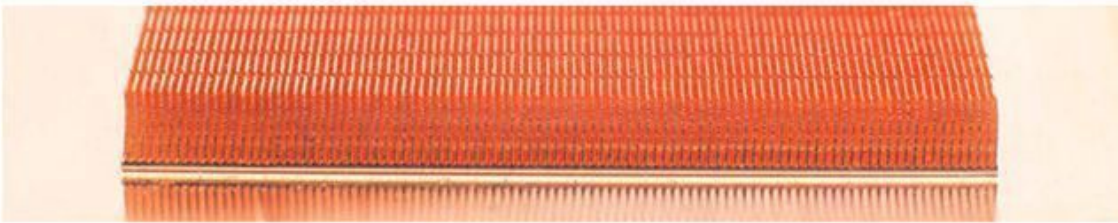
The Apogee SKF also features an entirely new cooling engine made of 125 micron (< 5 thousandth's of an inch!) thick slotted fins! This new technology is at the very least one generation ahead of the competition and will be the foundation of Swiftech's next generation CPU waterblocks. We are already working on several declinations of this new fin plate to offer the best cooling performance for upcoming new CPU's from Intel and AMD.

Swiftech Heirlooms. Make it personal.

We are proud to introduce the first "Heirloom Series" event featuring the new Apogee SKF. With its new Heirlooms Series, Swiftech is bringing the community unique, personalized, high-performance, long-lasting products.

## Specifications

---



The Apogee SKF-TR4 is fully compatible with Swiftech's Addressable RGB Iris Technology and even ships with the Swiftech Iris-Eco controller. With 2 strips of RGB LED's built into the waterblock the Apogee SKF will blend into any color theme build.



Just like Season 1, Heirloom Season 2 offers hundreds of different combinations: 5 different top finishes, 6 unique cover plates, 8 logo colors and 2 colors for the mounting brackets.



## Additional Information

Brand	Swiftech
SKU	AP-SKF-HLM-WC
Weight	1.5000
Color	Chrome
CPU Series	Intel's LGA 115x, 2011, 2011-v3, 2066 AMD AM2/3, AM4, Ryzen
Block CPU Type	Intel
Block Style	Copper
Special Price	\$79.95

