

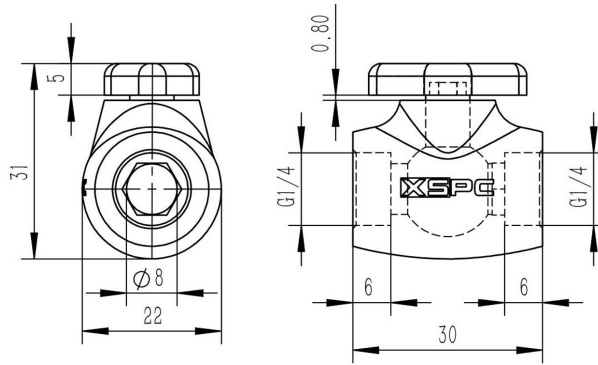


 **XSPC Ball Valve - Matte Black**

\$13.95

Product Images





Short Description

The XSPC The ball valve has a female G1/4" port on each side and is ideal for a drain valve.

Description

The XSPC The ball valve has a female G1/4" port on each side and is ideal for a drain valve.

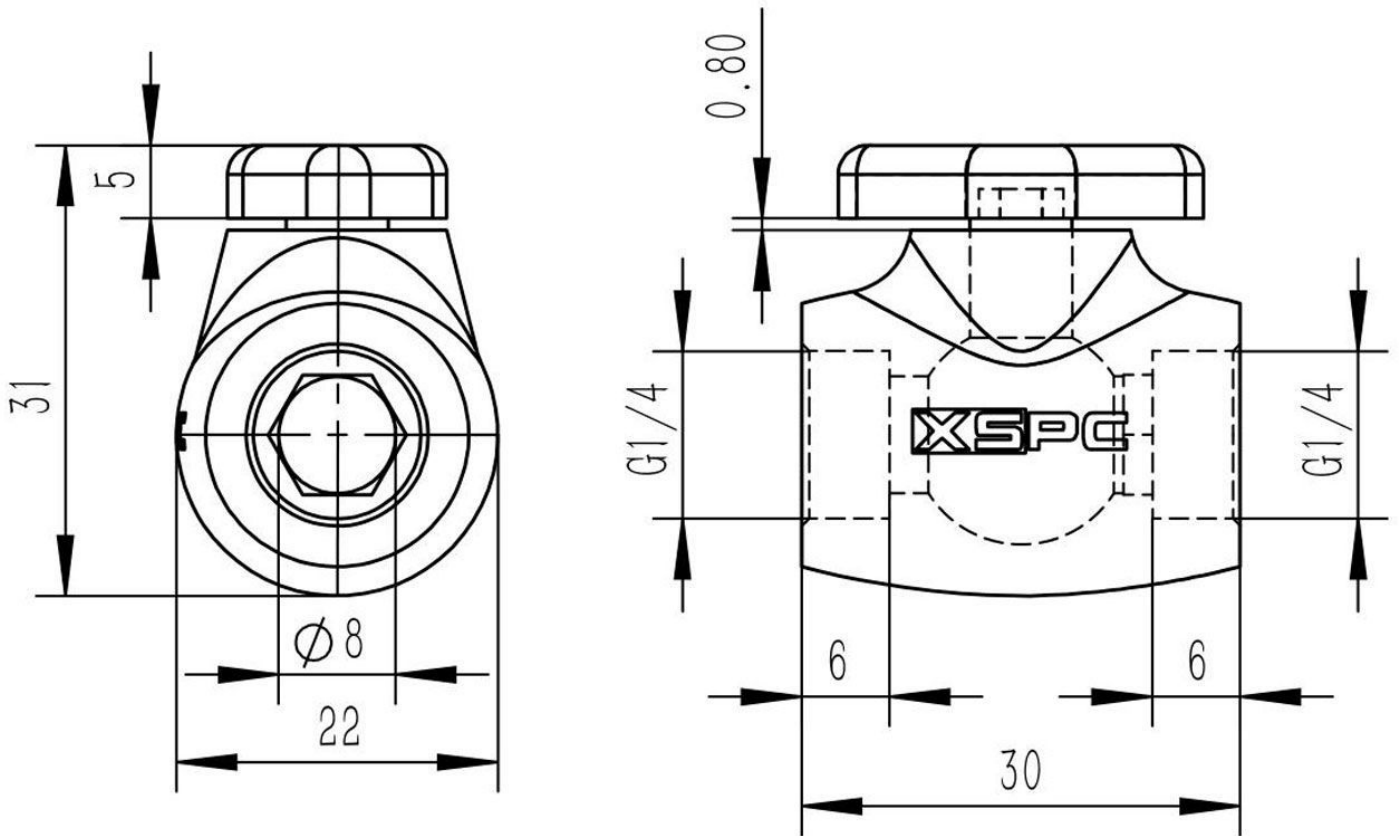
Features

Specifications:

- G1/4" Thread
- Material: Brass
- Matte Black Electroplated Finish

Specifications

- G1/4" Thread
- Material: Brass
- Finish: Chrome



One-Year Limited Warranty: XSPC warrants products to be free of defects in materials or workmanship. This warranty does not include damage resulting from accident or misuse. If this product should become defective, return to your place of purchase. This warranty is in lieu of all other warranties expressed or implied including the implied warranties of merchantability of fitness for a particular purpose, whether arising by law, custom or conduct, and the rights and remedies provided under this warranty are exclusive and in lieu of any other rights or remedies. In no event shall XSPC be liable for consequential damages.

Additional Information

Brand	XSPC
SKU	XSPC-BALLVALVE-MB
Weight	0.2000
Special Order	No
Fitting Type	Valve
Fitting Angle	Straight
Fitting Finish	Matte Black
Vendor SKU/EAN	5060175589118

