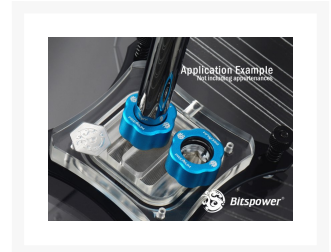
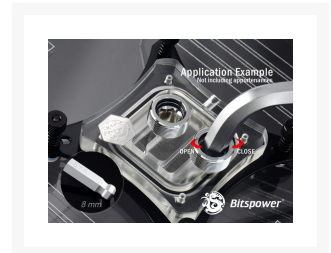
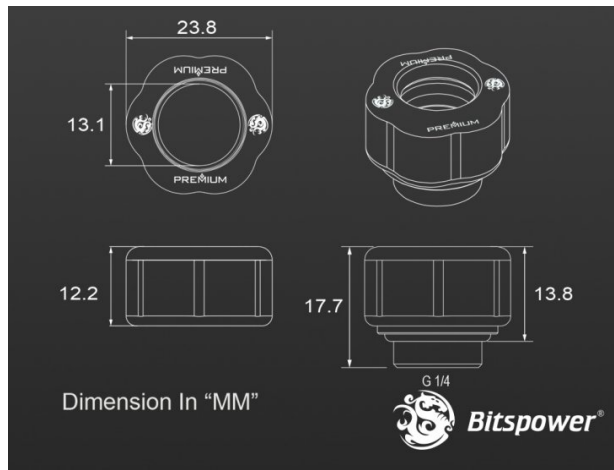
 **Bitspower Premium  
 Master Hard Tube Fitting  
 MHT12IND 6 Pack -  
 Abrasive Blue**

Special Price  
**\$24.99** was  
**\$29.75**

Product Images





## Short Description

Bitspower Premium Master Hard Tube Fitting MHT12IND Are Design For Hard Tubing OD1/2 Inch. They Have A Unique Surface For Each Nut With Concentric Circles By Handmade.

## Description

Bitspower Premium Master Hard Tube Fitting MHT12IND Are Design For Hard Tubing OD1/2 Inch. They Have A Unique Surface For Each Nut With Concentric Circles By Handmade.

## Features

1. Unique Surface For Each Nut With Concentric Circles By Handmade.
2. Inner Dual O-Ring Design.
3. Labeled With Unique Number.
4. Design For Hard Tubing OD1/2 Inch.
5. Inner Hexagonal Design.
6. High Quality Brass And Aluminum ( Nut )Material.
7. High Durability Nickel Finished Fitting In Silver Shining Color.
8. Aluminum With High Durability Anodizing Finished In Blue Color.
9. RoHS Compliant.

## Specifications

Thread : G1/4"  
Thread Length : 5MM

Quantity : 6 PCS

Application Item:

BP-HEXW10-ASL

\*User can use this hexagon wrench 10MM to fix these BP-PREMHT12/14/16/12IN series easily.

**\*\*\*All Specification Will Be Changed Without Further Notice\*\*\***

## Additional Information

Brand	Bitspower
SKU	BP-PREMHT12IND-ABL6P-D
Weight	1.0000
Special Order	No
Fitting Type	Rigid Compression
Fitting Size	1/2"
Fitting Angle	Straight
Fitting Finish	Blue
Vendor SKU/EAN	4712914799937
Special Price	\$24.99

