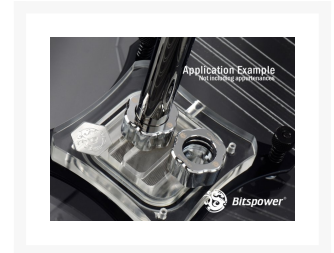
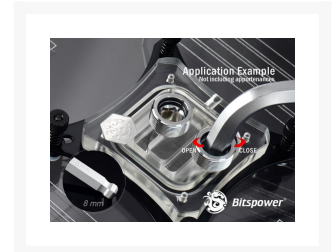


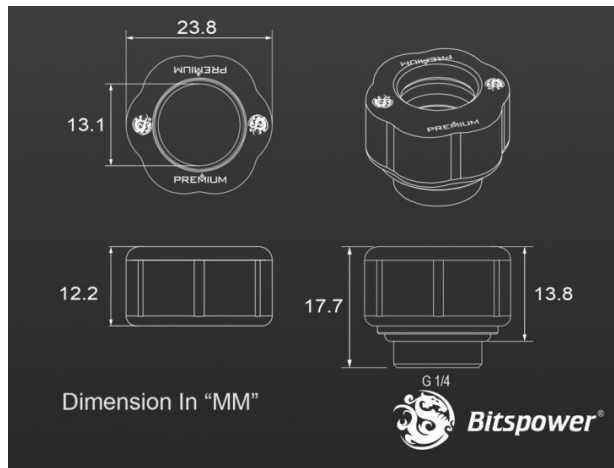


Bitspower Premium Master Hard Tube Fitting MHT12IND 6 Pack - Silver

\$35.50

Product Images





Short Description

Bitspower Premium Master Hard Tube Fitting MHT12IND Are Design For Hard Tubing OD1/2 Inch. They Have A Unique Surface For Each Nut With Concentric Circles By Handmade.

Description

Bitspower Premium Master Hard Tube Fitting MHT12IND Are Design For Hard Tubing OD1/2 Inch. They Have A Unique Surface For Each Nut With Concentric Circles By Handmade.

Features

1. Unique Surface For Each Nut With Concentric Circles By Handmade.
2. Inner Dual O-Ring Design.
3. Labeled With Unique Number.
4. Design For Hard Tubing OD1/2 Inch.
5. Inner Hexagonal Design.
6. High Quality Brass And Aluminum (Nut)Material.
7. High Durability Nickel Finished Fitting In Silver Shining Color.
8. RoHS Compliant.

Specifications

Thread : G1/4"

Thread Length : 5MM

Quantity : 6 PCS

Application Item:

BP-HEXW10-ASL

*User can use this hexagon wrench 10MM to fix these BP-PREMHT12/14/16/12IN series easily.

*****All Specification Will Be Changed Without Further Notice*****

Additional Information

Brand	Bitspower
SKU	BP-PREMHT12IND-SL6P-D
Weight	1.0000
Special Order	No
Fitting Type	Rigid Compression
Fitting Size	1/2"
Fitting Angle	Straight
Fitting Finish	Chrome
Vendor SKU/EAN	4712914799920

