

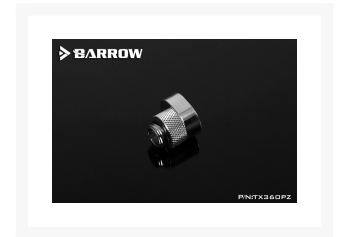


BARROW

Barrow G1/4" 360° Rotary Offset Adapter Fitting - Shiny Silver

\$12.95

Product Images

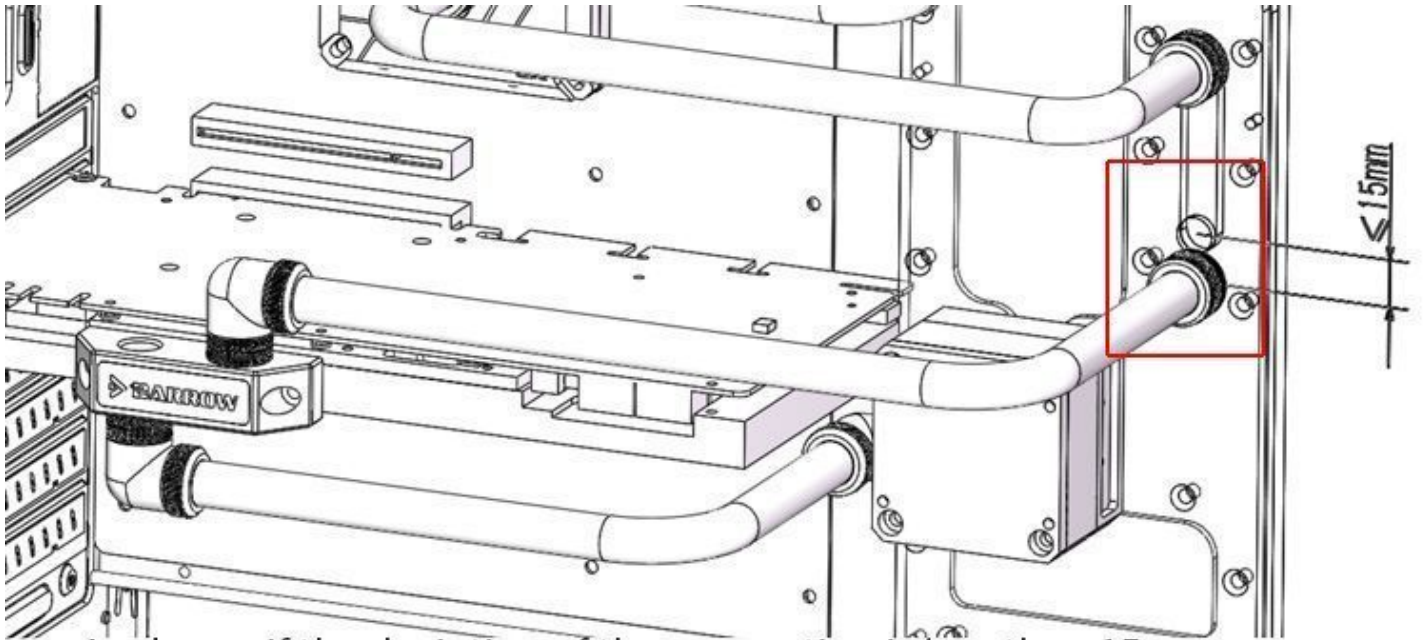


Short Description

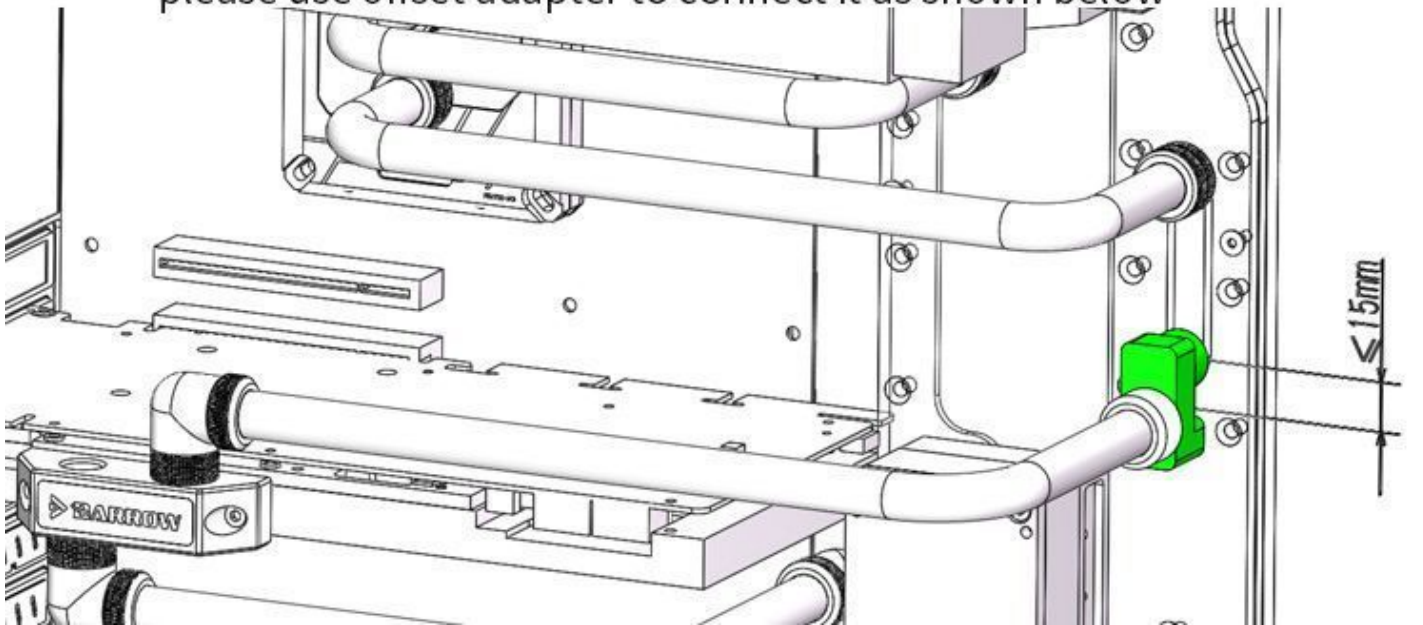
This adapter fitting allows for fine adjustment of hard tube angles. With plus or minus 6mm of adjustment you can get perfectly parallel tubing runs by using this unique fitting.

Description

This adapter fitting allows for fine adjustment of hard tube angles. With plus or minus 15mm of adjustment you can get perfectly parallel tubing runs by using this unique fitting.



As shown, if the deviation of the connection is less than 15 mm, please use offset adapter to connect it as shown below



Features

360°rotation offset adapter

Lightweight/Convenient/Durable/Professional



Lightweight



Convenient



Durable



Professional

Multiple application environments

多种适用环境

It can be used in various environments, and the maximum support radius of hole position offset is 15mm

01



It can pass high strength fatigue test

耐高強度疲勞測試

POM can withstand high fatigue strength, which makes it easy to deal with the internal temperature of water cooling system

02



Lightweight

轻量化

The impact resistant and lightweight POM material reduces the overall weight, which is only 17.2g

03



Applicable scenarios

适用场景

If the deviation of the joint shown in Figure 1 is less than 15mm, the offset adapter shown in Figure 2 can be used to butt joint it

04

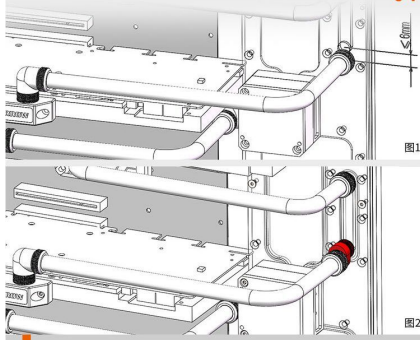


图1

图2

Material: Brass

Dental regulations: G1 / 4 (common international regulatory teeth)

Quantity: 1PCS

Purchase information

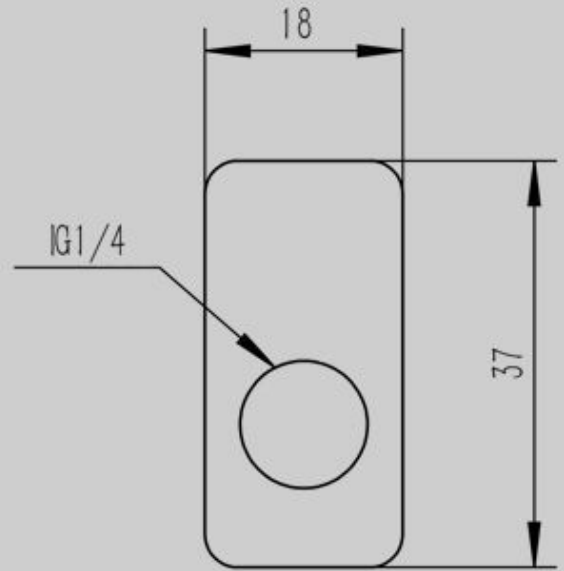
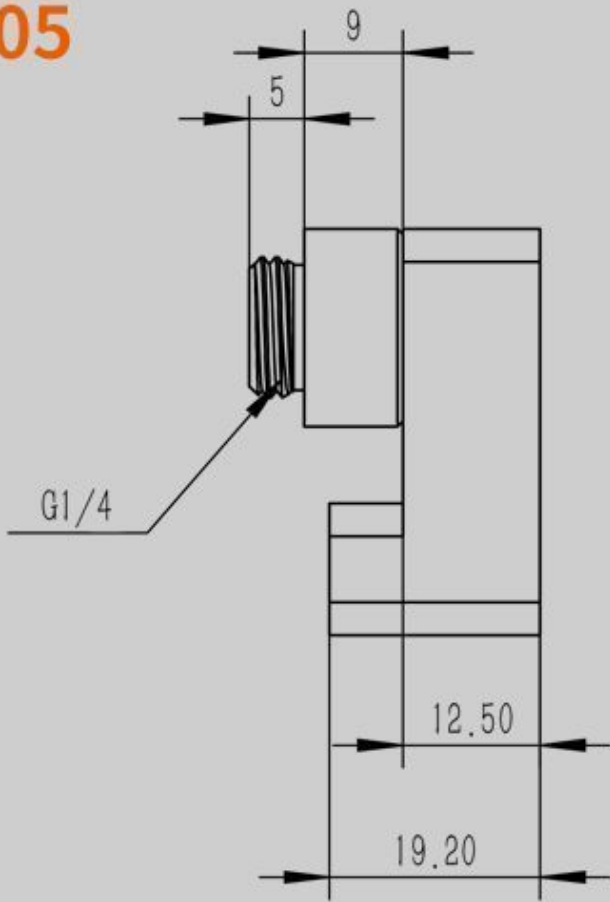
购买须知

1. Adapter can be 360° rotation;
2. It has 6MM central spacing of Interface between two connector;
3. Product material: POM+Brass;
4. Thread specification: G1/4;
5. Product quantity: 1PCS;
6. In case of product appearance structure upgrade, without further notice, in kind prevail.

Appearance size

外观尺寸

05



Additional Information

| | |
|----------------|---------------|
| Brand | Barrow |
| SKU | TX360PZ-SL |
| Weight | 0.1000 |
| Special Order | No |
| Fitting Type | Adapter |
| Fitting Size | 1/4" |
| Fitting Angle | Snake Style |
| Fitting Finish | Chrome |
| Vendor SKU/EAN | 6937826692079 |

