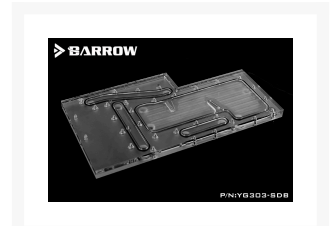


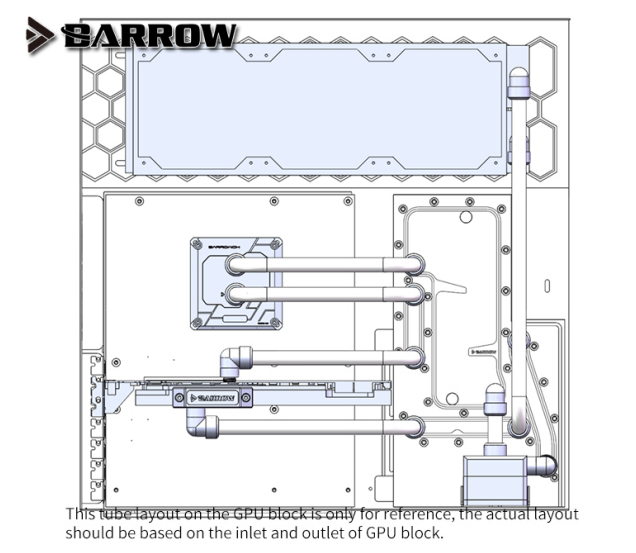
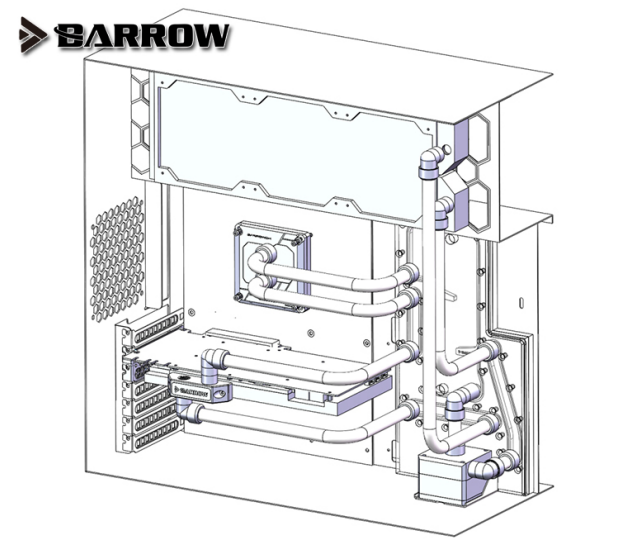


BARROW Barrow LRC2.0 waterway plate for INWIN 303 and 305 case

Special Price
\$45.96 was
\$116.99

Product Images





Short Description

This water channel board from Barrow is made out of acrylic and is made specifically for the INWIN 303 and 305.

Description

This water channel board from Barrow is made out of acrylic and is made specifically for the INWIN 303 and 305.

Specifications

The motherboard models that the water channel integrated board compatible with are:

- ROG STRIX Z390-E GAMING
- ROG STRIX Z390-H GAMING
- ROG STRIX Z370-F GAMING
- ROG MAXIMUS X HERO
- ROG MAXIMUS X HERO (WI-FI AC)
- ROG MAXIMUS IX HERO
- ROG STRIX Z370-E GAMING
- ROG STRIX Z370-H GAMING
- ROG STRIX B360-F GAMING
- ROG STRIX Z270F GAMING
- ROG STRIX Z270E GAMING
- ROG STRIX Z270H GAMING
- ROG Maximus XI Hero
- ROG Maximus XI Hero Black Ops
- ROG MAXIMUS VIII EXTREME/ASSEMBLY
- PRIME Z370-A
- PRIME Z390-A
- PRIME Z390-P
- TUF Z390M-PRO GAMING (WI-FI)
- TUF Z390-PRO GAMING
- TUF Z370-PRO GAMING
- MAXIMUS VIII HERO
- MAXIMUS VIII RANGER
- Z170 PRO GAMING
- Z170-AR

Compatible with a 34mm thick 360 Radiators

Additional Information

Brand	Barrow
SKU	YG303-SDB
Weight	4.0000
Color	Clear
Reservoir Type	Distribution plate
Vendor SKU/EAN	6937826612244
Special Price	\$45.96

