



BARROWCH

# Barrowch Modified kits for D5 pump - Silver

\$56.95

## Product Images



## Short Description

The Barrowch Modified kits for D5 pump has super strong heat dissipation and ensures pump stable operation. It is made from aluminum and acrylic and has rgb integrated into the pump top.

## Description

---

The Barrowch Modified kits for D5 pump has super strong heat dissipation and ensures pump stable operation. It is made from aluminum and acrylic and has rgb integrated into the pump top.

## Features

---



1.Put the pump into the radiator body and cover with the rubber ring as shown



2.Install the pump cover and lock the pump cover with the fixed pump cover screw. Then the pump can be used normally



3.In the figure, the radiator refit kit piece only plays a decorative role. For example, if the D5 pump is used, and the adjustment is required, only the radiator refit kit piece can be removed to adjust the speed without affecting the normal use

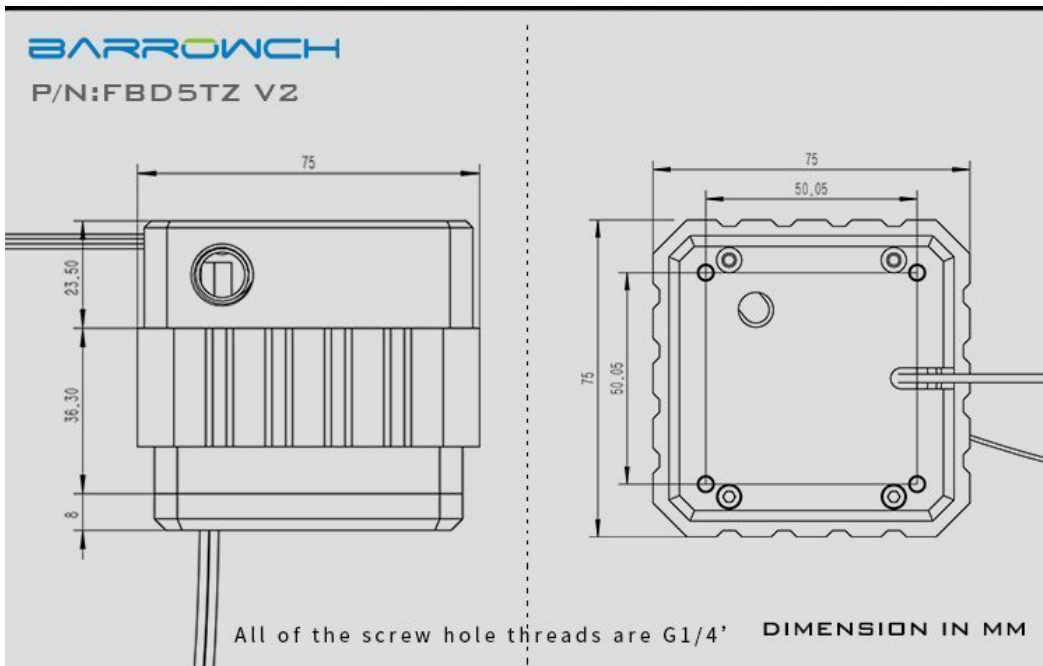


4.Tighten the heat dissipation fitting panel with screws, and the installation is completed

## Specifications

---

Name	Special modifying heat sink kit for Barrowch D5 series pump
Model	FBD5TZ V2
Package	aluminum alloy+acrylic
Net Weight	366g
Specification	G1/4
Features	<ul style="list-style-type: none"> <li>• Super strong heat dissipation: Whole-Surround Structure, ultra large heat dissipation area, ensuring pump stable operation.</li> <li>• Appearance patent: Innovative square appearance patent design.</li> <li>• To ensure beauty, the decorative pieces on the pump cover has been armed with protective film, so please tear it off when use the product.</li> <li>• Compatible with BARROWCH "PWM speed control 17W Pump" and DRIVE DDC-32 pump.</li> <li>• (In the picture, the pump is only for displaying. The standard does not include pump. If necessary, please purchase separately. )</li> <li>• (standard without controller, for necessary, please purchase separately.)</li> <li>• (If you need to install horizontally, you should prepare double sided adhesive for yourself. The standard does not include double-sided tape.)</li> <li>• In case product appearance upgrade, without further notice, prevail in kind.</li> </ul>



## Additional Information

---

Brand	Barrowch
SKU	FBD5TZ-V2-SL
Weight	0.5000
Color	Silver
Pump Type	Laing D5
Material	Aluminum
Vendor SKU/EAN	CH0637

