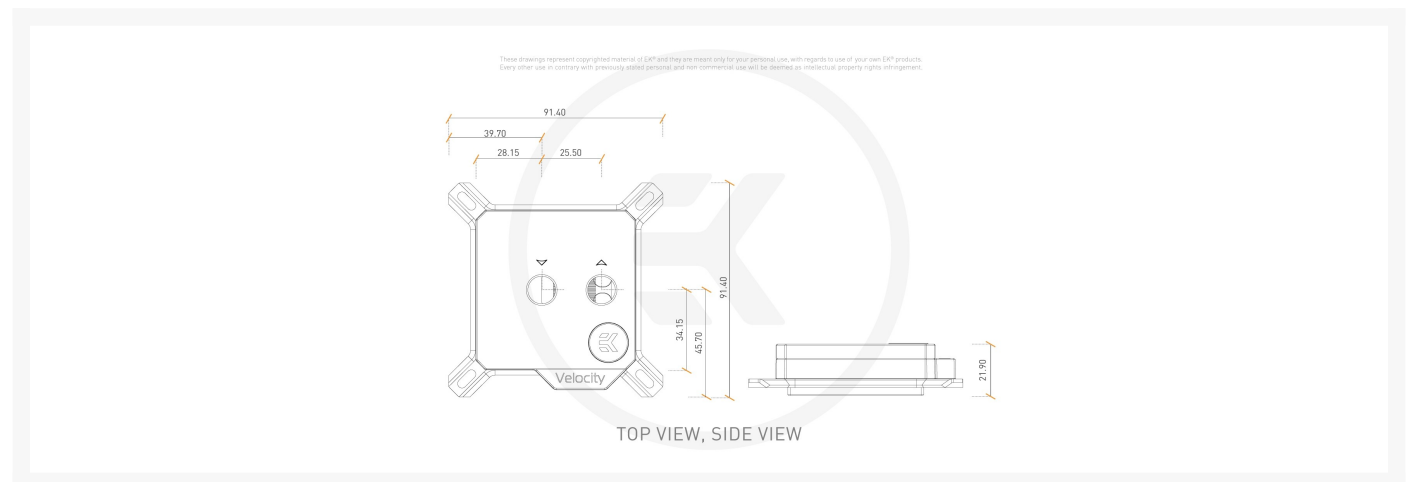
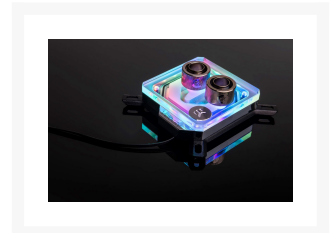




EK-Quantum Velocity D- RGB - Nickel + Plexi

\$109.99

Product Images



Short Description

EK-Quantum Velocity is the new high-performance flagship premium quality CPU water block for modern Intel processors. It features a fresh design that will enable a vast number of variations and options for enthusiasts and demanding users as well!

Description

EK-Quantum Velocity is the new high-performance flagship premium quality CPU water block for modern Intel processors. It features a fresh design that will enable a vast number of variations and options for enthusiasts and demanding users as well!

EK Velocity series CPU water blocks embed the 5th generation of the award-winning EK CPU water block cooling engine, further tweaked for performance and optimal coolant flow! Low hydraulic flow restriction enables this product to be used in setups using weaker water pumps or lower pump speeds for added silent operation, while still achieving top performance! The water block also comes with the most sophisticated RGB lighting implementation on the market to this day. A total of 20 LEDs are housed under the aesthetic shroud which connects to a standard 3-pin 5V D-RGB header.



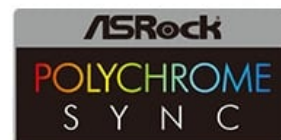
The purest copper available on the market is used for the EK-Velocity cold plate which is precisely machined to a dense micro-fin structure. The contact surface itself is machine polished for a better contact with the CPU IHS. This version of the water block features a nickel-plated cold plate with a CNC machined glass like Acrylic top piece.

The new cooling engine is characterized by the top-integrated jet nozzle which is combined with a thicker jet plate allowing a more precise bow control. The simplified water block structure offers a more optimized coolant flow and easier maintenance, while the interchangeable thick jet plate ensures the best contact surface for mainstream and HEDT Intel platforms.

The block is equipped with a reinforced hold-down bracket, and the enclosed mounting kit includes all the necessary mounting screws, mounting springs, an Intel 115x backplate, rubber backplate gasket and a small tube of Thermal Grizzly Hydronaut high-performance thermal paste. The EK-Velocity CPU water block features a universal mounting mechanism that offers error-preventing, tool-less installation supporting Intel LGA-115x and LGA-20xx sockets out of the box. The mounting screws are streamlined and are even smaller than before for an added aesthetical perfection.



**MYSTIC
LIGHT**



This product is compatible with all popular RGB sync technologies from all major motherboard manufacturers. The arrow marking on the 3-pin LED connector is to be aligned with the +5V marking on the RGB header.

Specifications

Technical specifications:

- RGB cable length: 30cm
- RGB connector 3-pin 5V digital LED header (Pinout: +5V D G)

CPU socket compatibility:

- Intel LGA-1200
- Intel LGA-1150/1151/1155/1156
- Intel LGA-2011(-3)
- Intel LGA-2066

Enclosed:

- EK-Quantum Velocity CPU water block
- PreciseMount universal CPU mounting mechanism
- EK-Velocity Backplate
- 2.5mm Allen key
- Jet J2 (0.8mm* thick)
- Thermal grease Thermal Grizzly Hydronaut (1g)

Made in Slovenia - Europe!

PLEASE NOTE:

- The use of specifically engineered coolants that contain corrosion, scale, and biological inhibitors is mandatory to prevent damage to your nickel plated water block! EK is offering a selection of such products in the [coolants](#) section.
- This product should NOT be installed with any aluminum EK Fluid Gaming parts!
- The arrow marking on the 3-pin LED connector is to be aligned with the +5V marking on the D-RGB(A-RGB) header.
- Fittings on the photos are not included in the package

Additional Info

	Nickel Plexi
	G1/4
	Intel

Additional Information

Brand	EK Waterblocks
SKU	EK-QUANTUM-VELOCITY-D-RGB-NP
Weight	2.5000
Color	Black
CPU Series	Intel's LGA 115x, 2011, 2011-v3 and 2066
Block CPU Type	Intel
Block Style	Nickel-Plexi
Vendor SKU/EAN	3831109810347

