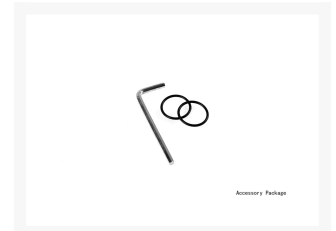


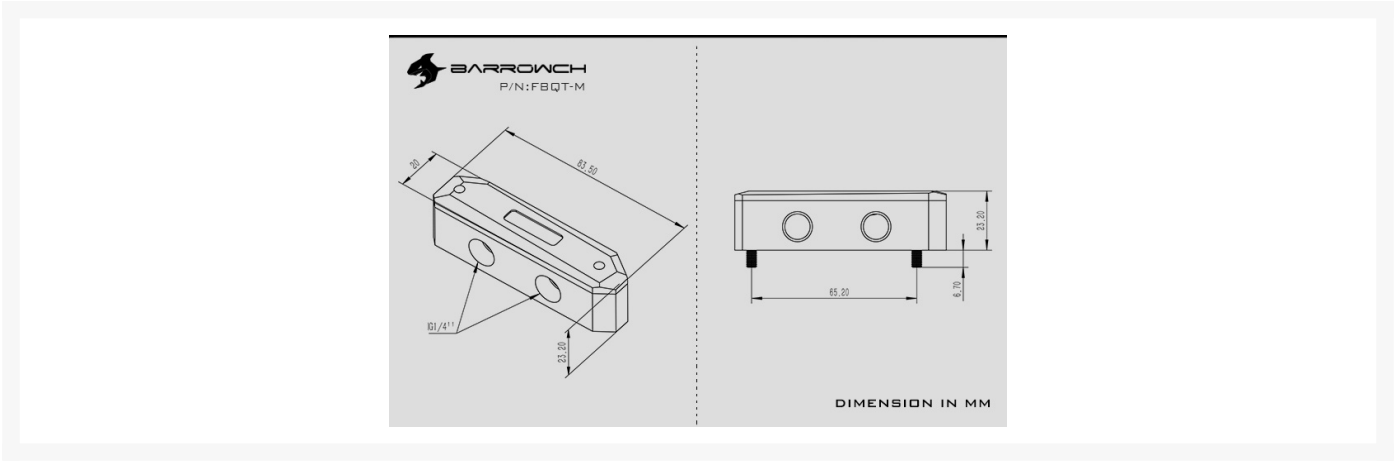


# Barrowch MINI type digital display Terminal Connector for GPU block - Red

Special Price  
**\$20.45** was  
**\$29.95**

## Product Images





## Short Description

---

These Temperature Displays for Barrowch replace your existing terminal on your GPU waterblock to give you real time temps.

## Description

---

These Temperature Displays for Barrowch replace your existing terminal on your GPU waterblock to give you real time temps.

## Features

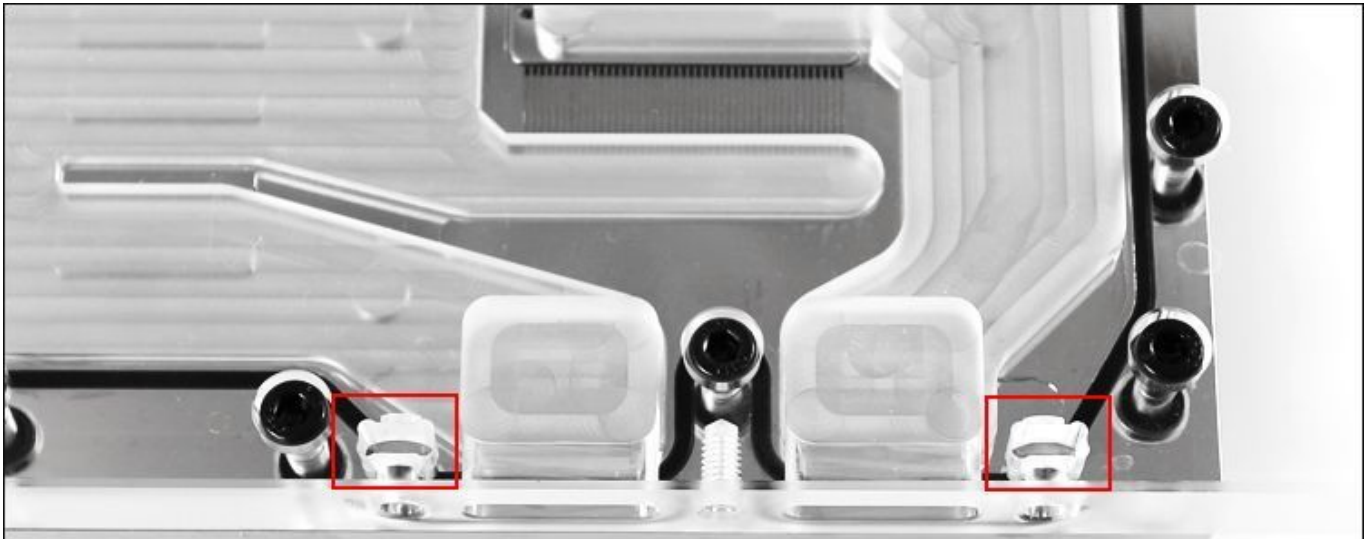
---



Remove the label from the terminal with tweezers



Remove the red position screws shown in the picture and remove the original terminal.



Pay attention to the two square nuts in the location of the red mark, so as to avoid falling off and affect the installation.



Press two pieces gaskets in the digital display terminal slot (tip: gently pull it will be more easy to install).



Two screws have been built in the digital display terminal



Use the hexagon spanner to tighten the built-in screws through the red position in the picture, and pay attention to the installation direction of the terminal



Please check whether the terminal gasket is pressed to avoid leakage



Installation is complete.

## Specifications

---

<b>Name</b>	Barrowch black/ sliver/ red digital display special terminal connector for GPU water block
<b>Model</b>	FBQT-M
<b>Material</b>	Aluminum alloy+POM
<b>Weight</b>	81g
<b>Specification</b>	G1/4
<b>Features</b>	<ul style="list-style-type: none"><li>• small and exquisite size,easy to install;</li><li>• Nonpolarity: No matter what direction of water flow can accurately show its temperature;</li><li>• Easy to get electric power:just insert the power supply interface into the motherboard fan slot;</li><li>• display accuracy:the display temperture can be accurte to 0.1°C;</li><li>• Real-time display:water temperature real-time display,data real-time refresh;</li><li>• Compatibility: It can compatible with all GPU Water Block of removable Bridge of Barrowch sub-brand.</li></ul>
<b>Matters need attention</b>	<ul style="list-style-type: none"><li>• After installation and before first electrifying,please set up the motherboard BIOS corresponding fan FAN interface to "full speed"to keep the voltage as stable 12v output to avoid the equipment damage or abnormal due to low voltage;</li><li>• The display scree is fragile,so please don't press hard;</li><li>• In case product appearance upgrade, without further notice, prevail in kind.</li></ul>

## Additional Information

---

Brand	Barrowch
SKU	FBQT-M-RD-D
Weight	0.3000
Color	Red
Msc Watercool	Temp Sensor
Material	Delrin (POM)
Vendor SKU/EAN	CH0640
Special Price	\$20.45

