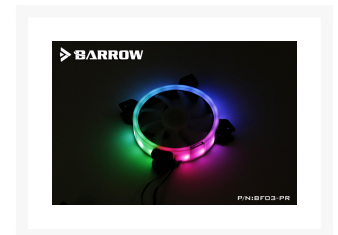




BARROW Barrow Aurora RGB Ring PWM Hydraulic Bearing Fan - 120mm

\$17.95

Product Images



Short Description

These Barrow Aurora RGB Ring PWM Hydraulic Bearing Fan are design to work with the Digital RGB Software

giving you the ability to sync these with the rest of the Digital RGB components within your Rig.

Description

These Barrow Aurora RGB Ring PWM Hydraulic Bearing Fan are design to work with the Digital RGB Software giving you the ability to sync these with the rest of the Digital RGB components within your Rig.

Features





8-piece shock-absorbing gasket
Using soft and non odor silicone material can reduce fan's resonance and noise transmission.

Longevity hydraulic bearing

P/N:BF03-PR



4Pin fan interface

3Pin RGB interface

P/N:BF03-PR

Specifications

Model:BF03-PR
Dimensions: 120*120*25mm
Rotational Speed:900-1900RPM±100
Rated voltage:12V (10.8V-13.2V)
Rated current:0.25A
Starting voltage:DC-6V
Function: PWM control speed
Shaft bearing: Hydro-Dynamic bearing
Air volume:29.5CFM-59.7CFM
Noise level: 21.8db(a)-32.2db(a)
Service life: 40000H
Interface type: 6-Pin
Core line length: fan power supply line: 40cm
RGB line length: 44cm
Light: LRC2.0 control system
Need controller: Yes
Net weight: 126g



P/N:BF03-PR

LRC2.0 light effect can be synchronized with some of the motherboards' lighting effects through a conversion cable



ASUS



MSI

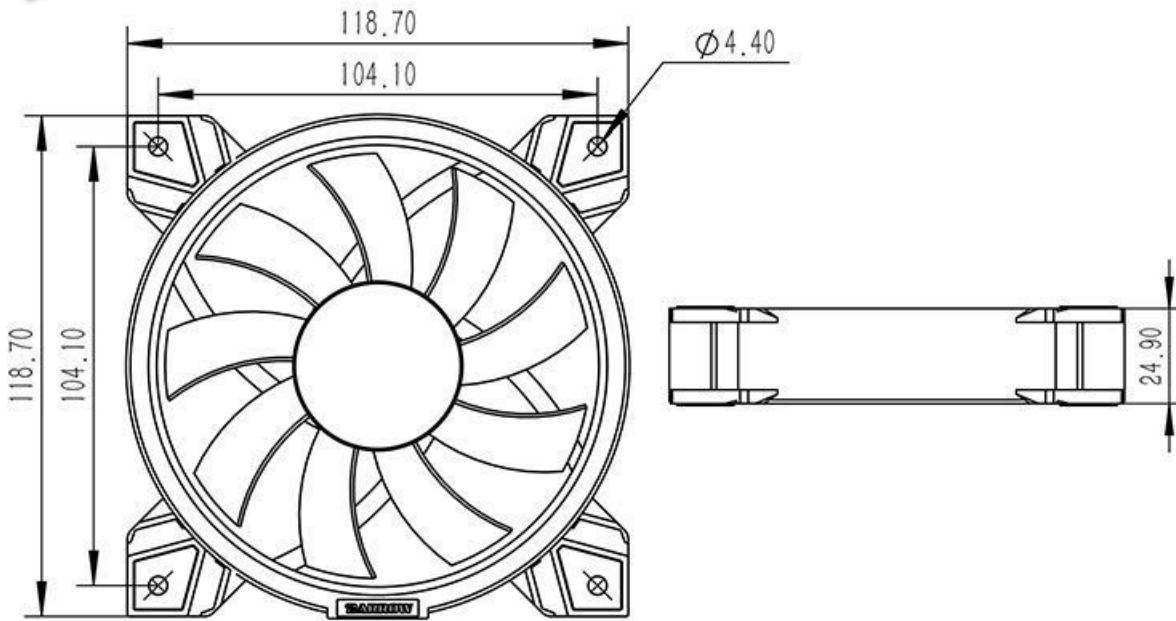


GIGABYTE



ASROCK

COMPATIBLE WITH ABOVE MOTHERBOARDS 5V RGB DIMMING SYSTEM,
ABOUT OTHER BRANDS AND COMPATIBLE INFORMATION ,
PLEASE REFER TO THE MANUFACTURERS' RELEVANT INFORMATION.



P/N:BF03-PR

Additional Information

Brand	Barrow
SKU	BF03-PR
Weight	0.6000
Color	Black
Fan Dimensions	120mm
Fan Width	25mm
Fan Connection	4-Pin PWM
Fan Voltage	12 VDC
Fan RPM	1900
Fan CFM	60
Fan Noise (dB)	32
Vendor SKU/EAN	6937826611841

