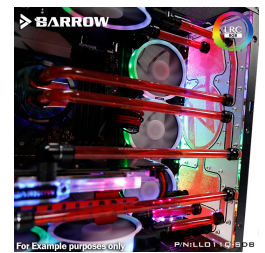
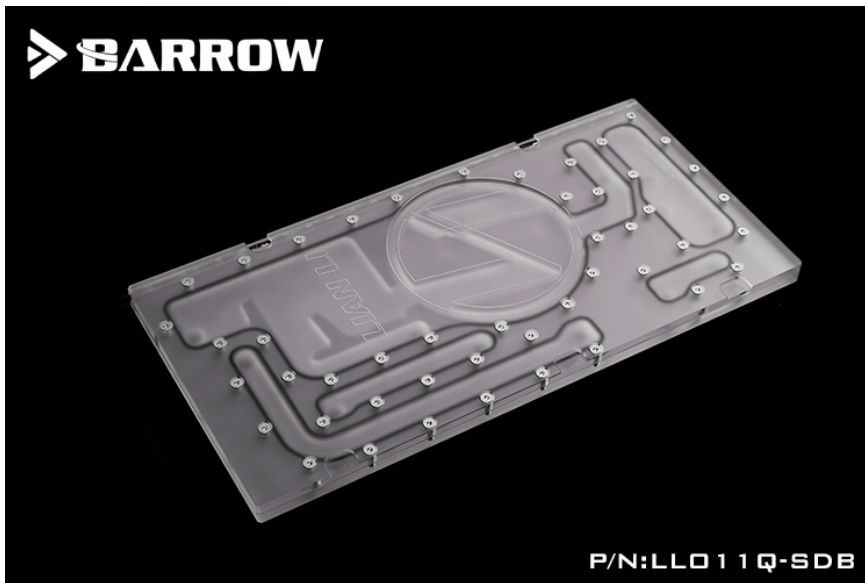


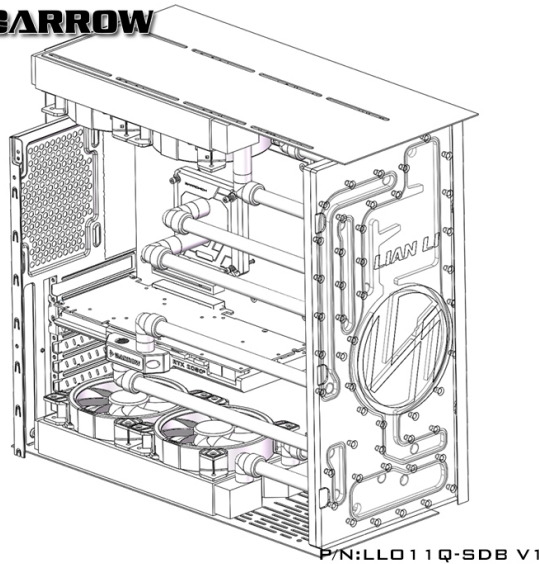


# BARROW Barrow LRC2.0 prepositive waterway plate for LIAN LI O11 case

Special Price  
**\$53.18** was  
**\$149.99**

## Product Images





## Short Description

---

This water channel board from Barrow is made out of acrylic and is made specifically for the LIAN LI O11.

## Description

---

This water channel board from Barrow is made out of acrylic and is made specifically for the LIAN LI O11.

**\*\*Please Note: Layout of the channels on the waterway maybe updated without notice.\*\***

## Specifications

---

The motherboard models that the water channel integrated board compatible with are:

- ROG STRIX Z390-E GAMING
- ROG STRIX Z390-H GAMING
- ROG STRIX Z370-F GAMING
- ROG MAXIMUS X HERO
- ROG MAXIMUS X HERO (WI-FI AC)
- ROG MAXIMUS IX HERO
- ROG STRIX Z370-E GAMING
- ROG STRIX Z370-H GAMING
- ROG STRIX B360-F GAMING
- ROG STRIX Z270F GAMING
- ROG STRIX Z270E GAMING

- ROG STRIX Z270H GAMING
- ROG Maximus XI Hero
- ROG Maximus XI Hero Black Ops
- ROG MAXIMUS VIII EXTREME/ASSEMBLY
- PRIME Z370-A
- PRIME Z390-A
- PRIME Z390-P
- TUF Z390-PRO GAMING
- TUF Z370-PRO GAMING
- MAXIMUS VIII HERO
- MAXIMUS VIII RANGER
- Z170 PRO GAMING
- Z170-AR

We recommend using the above models of motherboards and more compatible motherboards will be updating at any time.

\*\*Please Note: Layout of the channels on the waterway maybe updated without notice.\*\*

## Additional Information

Brand	Barrow
SKU	LLO11Q-SDB-V1
Weight	4.0000
Color	Clear
Reservoir Type	Distribution plate
Vendor SKU/EAN	6937826612398
Special Price	\$53.18

