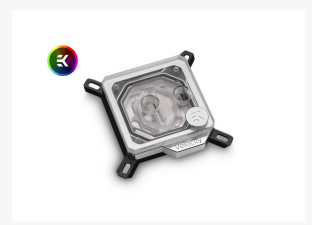


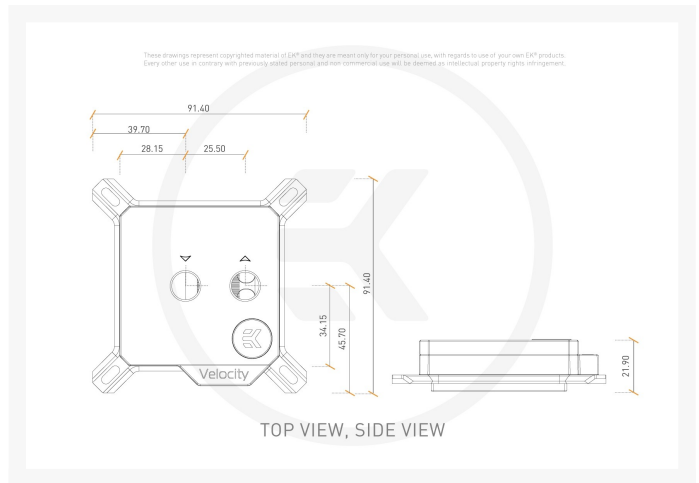


# EK-Velocity RGB - Custom Modded Plexi - Custom Design

\$129.95

## Product Images





## Short Description

---

Check out some of the custom designs we offer for the new EK Velocity blocks!

These Blocks Make any Rig look good with there customs tops your Rig will stand out from all the rest. With so many different styles to choose from you know there will always be something to fit that new build.

## Description

---

Check out some of the custom designs we offer for the new EK Velocity blocks!

These Blocks Make any Rig look good with there customs tops your Rig will stand out from all the rest. With so many different styles to choose from you know there will always be something to fit that new build.

Initial Velocity RGB Versions offered:

- EK logo
- ROG eye
- Radiation
- Biohazard
- AMD
- Vektor
- (Your Own Design) Email our Modshop with your design: [mod-proshop@performance-pcs.com](mailto:mod-proshop@performance-pcs.com)

\*\*Note: These will work with either the RGB or D-RGB Velocity blocks\*\*

---

EK-Velocity is the new high-performance flagship premium quality CPU water block for modern Intel processors. It features a fresh design that will enable a vast number of variations and options for enthusiasts and demanding users as well!

EK® Velocity series CPU water blocks embed the 5th generation of the award-winning EK® CPU water block cooling engine, further tweaked for performance and optimal coolant flow! Low hydraulic flow restriction enables this product to be used in setups using weaker water pumps or lower pump speeds for added silent

operation, while still achieving top performance! The water block also comes with the most sophisticated RGB lighting implementation on the market to this day. A total of 24 LEDs are housed under the aesthetic shroud.

The purest copper available on the market is used for the EK-Velocity cold plate which is precisely machined to a dense micro-fin structure. The contact surface itself is machine polished for a better contact with the CPU IHS. This version of the water block features a nickel-plated cold plate with a CNC machined glass like Acrylic top piece.

The new cooling engine is characterized by the top-integrated jet nozzle which is combined with a thicker jet plate allowing a more precise bow control. The simplified water block structure offers a more optimized coolant flow and easier maintenance, while the interchangeable thick jet plate ensures the best contact surface for mainstream and HEDT Intel platforms.

## Specifications

---

### RGB Version

Technical specifications:

- RGB cable length: 30cm
- RGB connector classic 4-pin (12+ G R B)

CPU socket compatibility:

- Intel LGA-1150/1151/1155/1156
- Intel LGA-2011(-3)
- Intel LGA-2066

---

### D-RGB Version

Technical specifications:

- RGB cable length: 30cm
- RGB connector 3-pin 5V digital LED header (Pinout: +5V D G)

CPU socket compatibility:

- Intel LGA-1150/1151/1155/1156
- Intel LGA-2011(-3)
- Intel LGA-2066

Made in Slovenia - Europe!

PLEASE NOTE:

- TO PREVENT DAMAGE TO YOUR WATER BLOCK, YOUR COOLANT MUST CONTAIN ANTICORROSIVES AND BIOCIDES! EK RECOMMENDS USE OF EK CRYOFUEL COOLANTS.
- This product should NOT be installed with any aluminum EK Fluid Gaming parts!

# Additional Info

## Additional Information

---

Brand	EK Waterblocks
SKU	EK-VELOCITY-RGB-CUSTOM
Weight	1.5000
CPU Series	Intel/AMD Various
Block CPU Type	Intel/AMD
Block Style	Nickel-Plexi
Vendor SKU/EAN	3830046995797

