



BARROWCH

Barrowch AMD AM4/AM3 Color screen version of Digital display CPU Water Block V2 - Red

\$123.95

Product Images



Short Description

Want a unique CPU waterblock with an integrated OLED temperature readout, but don't want feel like selling a kidney to get one? Well you're in luck because Barrowch has you and your CPU covered with this sleek solution! Designed for AMD consumer and workstation platform this block will work with AM3 and AM4 socket CPUs.

Description

Want a unique CPU waterblock with an integrated OLED temperature readout, but don't want feel like selling a kidney to get one? Well you're in luck because Barrowch has you and your CPU covered with this sleek solution! Designed for AMD consumer and workstation platform this block will work with AM3 and AM4 socket CPUs. With 0.4mm micro-fins and copper heat-plate you get thermal dissipation not typically found in this price range. Barrowch could have stopped there, but they insisted on giving you all the modern conveniences of fully customizable RGB that can be synced with your ASUS, MSI, Gigabyte and ASRock motherboards (adapter cables sold separately). The OLED power is provided via a standard 3-pin fan connector and the temperature readout is achieved via a thermal probe built into the block. All mounting hardware is included so you have everything you need to get up and running.

Features



Full color
TFT temperature
display screen

- Multiple modes to switch at will
- Water temperature Real-time display
- Super fast 1 MS frequency sampling rate



Integrated interface

- Through integrating circuits,Integrate the internal circuits into one power input
- only need access to Barrow's LRC2.0 lighting system



Various switching modes

- click the button in round hole to switch different modes by the accessory eject pin



Super strong Compatibility



-Compatible with three major platforms including the 115X X99 X299 platform

New graphic **LOGO**

-With its appearance and visual impact, we named it —extreme frozen shark





Aluminum alloy **CNC**

- the entire aluminum alloy raw materials
- multiple process CNC machined
- anodizing sandblasting process
- the surface texture is exquisite



Intensive jetting micro waterway

- 0.4*0.2mm intensive 49 grooves
micro jetting waterway
- strong heat sink efficiency



Full color lighting



- The lighting system presents a dazzling surrounded RGB effect
- It can be controlled independently
- also could be compatible with some motherboards' RGB interfaces



The center distance of the inlet and outlet is 28.85mm

AURA RGB lighting effect

ASUS some motherboards built-in special RGB socket, could connect the compatible light strip, fan, radiator and PC case. Aura software not only includes programmable equipped series of lighting effects, but also independently control each LED lamp, and then show more advanced lighting effects. The intending to push-off AURA SDK will also evolve this function to a new level--- ASUS will work with light strip, fan, case and so on spare parts big factories to ensure that the continuous new program mable compatible equipment could be provided to players and fully release all the more possible lighting effects.

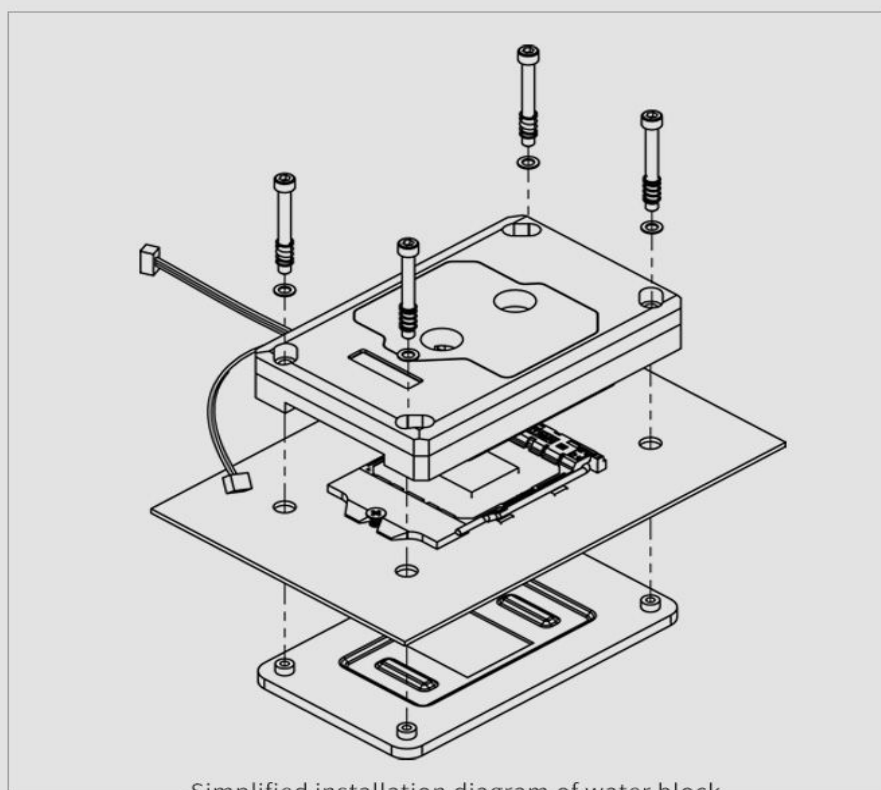
The image features a dark background with a glowing purple and blue light effect. In the foreground, there is a close-up of a motherboard's RGB header, showing pins labeled 'PM', '+5V D', 'ADD HEADER', and '+12V G RGB'. A circular inset provides a magnified view of the header. Below the motherboard, there are four logos for different RGB lighting technologies: ASUS AURA SYNC, MSI MYSTIC LIGHT SYNC, GIGABYTE RGB LED, and ASROCK RGB LED. The ASUS logo is highlighted with a purple glow. Below the logos, there is a list of interface connection modes.

Interface connection mode:

- 1、 Use BARROW independent LRC2.0 controller DK201 ARSKZQ
- 2、 Matching **ZBDZJX-5** connection line could connect some motherboards' 5V RGB interface

Specifications

| | |
|-------------------------------|--|
| Name | Barrowch AMD RYZEN AM4/AM3 Colorscreen version of Digital display CPU Water Block with multi mode |
| Model | FBLTFHA-04N V2 |
| Material | Aluminum alloy+ Acrylic+ Copper |
| Weight | 302g |
| Specification | Suitable for AMD AM4 platform AM3+ platform FM2+ platform |
| Features | <ul style="list-style-type: none"> • Full color TFT temperature display screen: water temperature real-time display , Various modes can be switched at will, super fast 1ms frequency sampling rate; • Integrated interface: Through integrating circuits, Integrate the internal circuits into one power input, only need access to Barrow's LRC2.0 lighting system; • Various switching modes: click the button in round hole to switch different modes by the accessory eject pin; • Super strong Compatibility: Compatible with three major platforms including the AM4、AM3+、FM2+ platform; • aluminum alloy CNC: the entire aluminum alloy raw materials, multiple process CNC machined , anodizing sandblasting process, the surface texture is exquisite; • 0.4mm micro waterway base plate, the waterway quantity is about 49 grooves, nickel plating process on the surface, made of pure mirror-polishing process; • Internal integrated full color adjustable RGB light module can achieve dynamic and static multiple color effect switching; • The upper cover of water block is made of PMMA, aluminum alloy and other materials meanwhile various color matching schemes could be chosen; • Acrylic materials are used of the original imported entire acrylic sheet; • Water block can detect temperature range is 0°C-99.9°C, in the picture temperature is only to show. |
| Matters need attention | <ul style="list-style-type: none"> • (The standard don't contain controller, if need, please purchase separately. The standard don't contain ZBDZJX-5 connective cable, please purchase separately); • The front of inlet port is suggested to add filter device to prevent jamming to extend the maintenance cycle of water loop; • The panel structure is complex so privately dismantling the connection between the aluminum alloy panel and the acrylic structure may make damage; • In case of upgrading to the appearance and structure , no further notice, the real object shall prevail. |



Simplified installation diagram of water block

Additional Information

| | |
|----------------|---------------------------|
| Brand | Barrowch |
| SKU | FBLTFHA-04N-V2-RD |
| Weight | 2.5000 |
| Color | Clear |
| CPU Series | AMD/AM2/AM3/AM3/AM4/RYZEN |
| Block CPU Type | AMD |
| Block Style | Nickel-Plexi |
| Vendor SKU/EAN | 6937826662379 |

