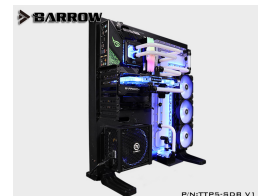
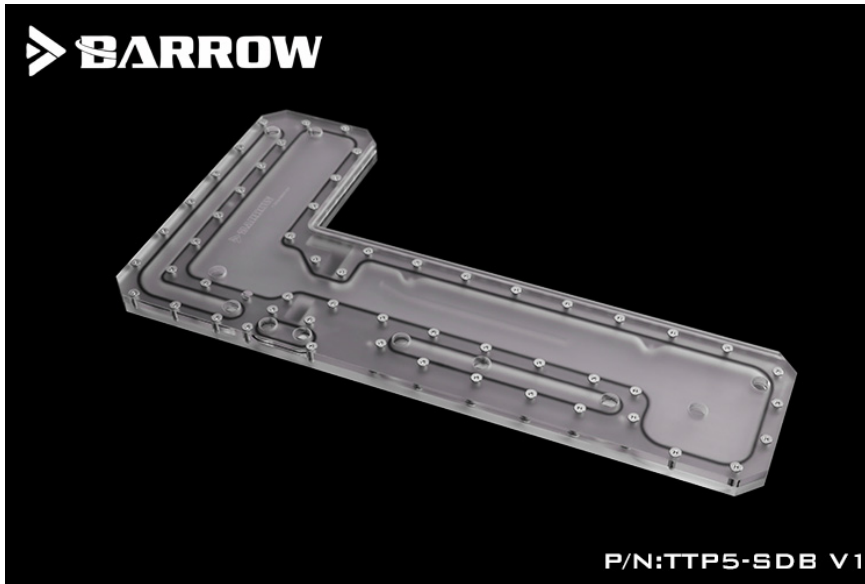


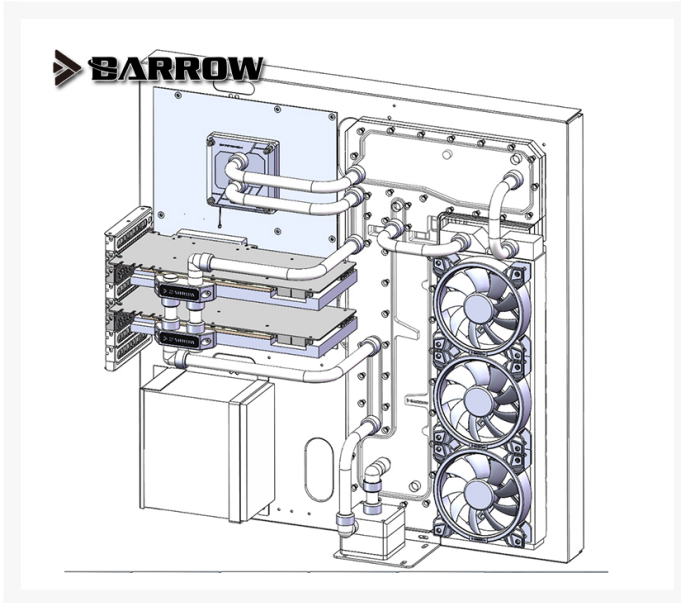
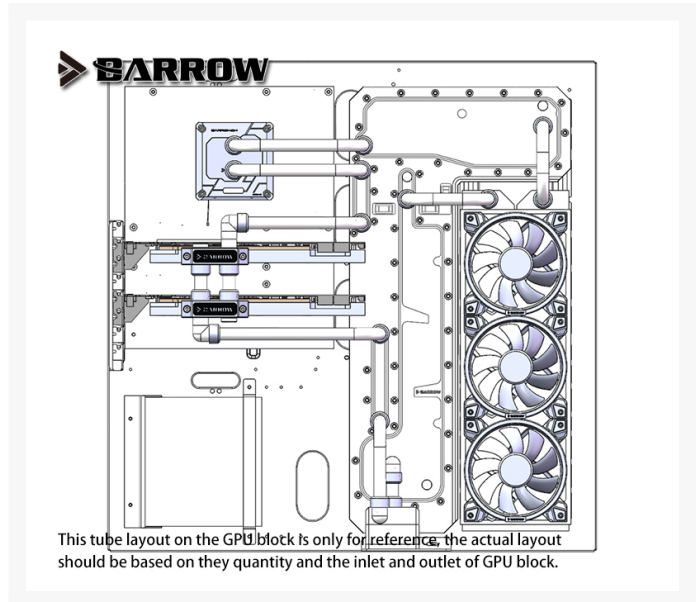
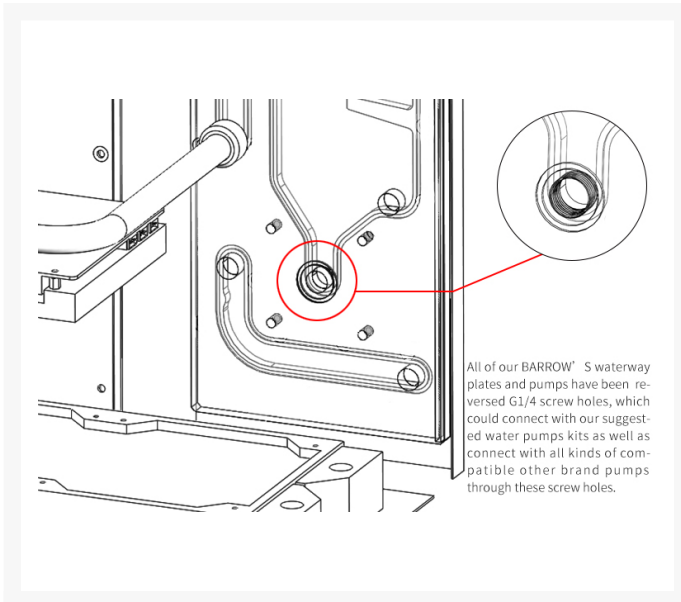


# BARROW Barrow LRC2.0 interior waterway plate for TT Core P5 open type case

\$158.99

## Product Images





## Short Description

This water channel board from Barrow is made out of acrylic and is made specifically to fit the interior of the TT Core P5.

## Description

This water channel board from Barrow is made out of acrylic and is made specifically to fit the interior of the TT Core P5.

Please Note: The water channels within these waterway plates may update without notice. Overall demension of waterway will stay the same

## Features

---

The motherboard models that the water channel integrated board compatible with are:....

- ROG STRIX Z390-E GAMING
- ROG STRIX Z390-H GAMING
- ROG STRIX Z370-F GAMING
- ROG MAXIMUS X HERO
- ROG MAXIMUS X HERO (WI-FI AC)
- ROG MAXIMUS IX HERO
- ROG STRIX Z370-E GAMING
- ROG STRIX Z370-H GAMING
- ROG STRIX B360-F GAMING
- ROG STRIX Z270F GAMING
- ROG STRIX Z270E GAMING
- ROG STRIX Z270H GAMING
- ROG Maximus XI Hero
- ROG Maximus XI Hero Black Ops
- ROG MAXIMUS VIII EXTREME/ASSEMBLY
- PRIME Z370-A
- PRIME Z390-A
- PRIME Z390-P
- TUF Z390-PRO GAMING
- TUF Z370-PRO GAMING
- MAXIMUS VIII HERO
- MAXIMUS VIII RANGER
- Z170 PRO GAMING
- Z170-AR

We recommend using the above models of motherboards and more compatible motherboards will be updating at any time.

## Additional Information

---

Brand	Barrow
SKU	TTP5-SDB-V1
Weight	4.0000
Color	Clear
Reservoir Type	Distribution plate
Vendor SKU/EAN	6937826612220

