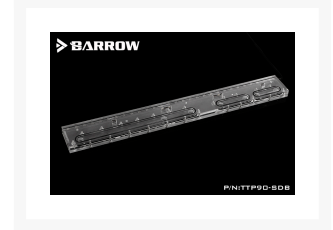


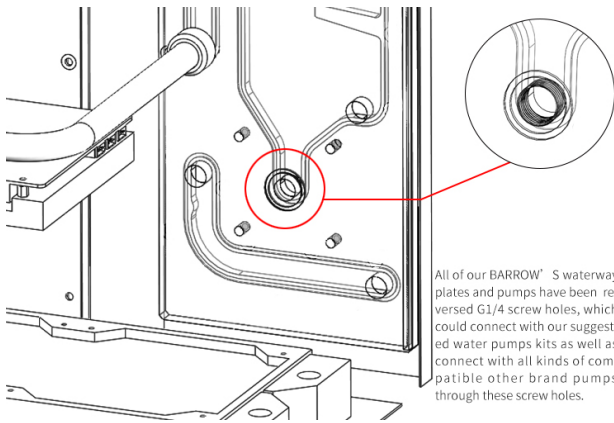


BARROW Barrow waterway plate for Core P90TG open type case

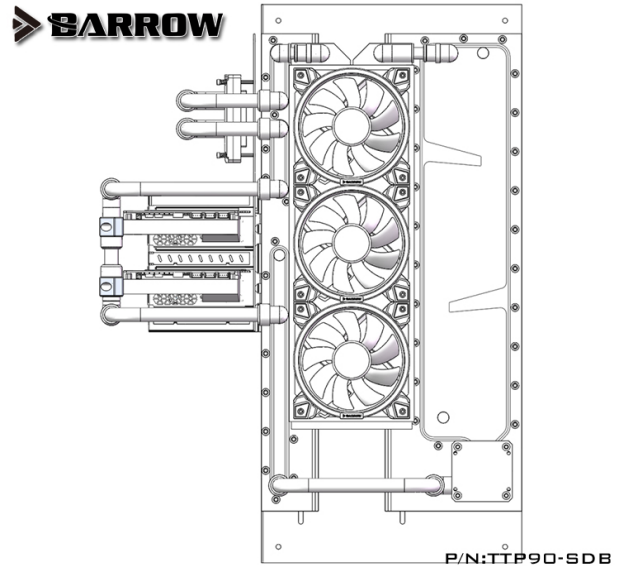
\$169.95

Product Images

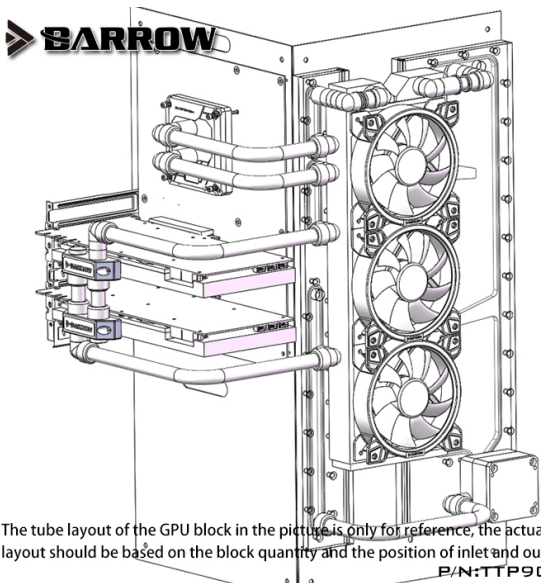




All of our BARROW'S waterway plates and pumps have been reversed G1/4 screw holes, which could connect with our suggested water pumps kits as well as connect with all kinds of compatible other brand pumps through these screw holes.



P/N:TTP90-SDB



The tube layout of the GPU block in the picture is only for reference, the actual layout should be based on the block quantity and the position of inlet and outlet on it.

P/N:TTP90-SDB

Short Description

This water channel board from Barrow is made out of acrylic and is made specifically to fit the interior of the TT Core P90.

Description

This water channel board from Barrow is made out of acrylic and is made specifically to fit the interior of the TT Core P90.

Please Note: The water channels within these waterway plates may update without notice. Overall demension of waterway will stay the same

Features

The motherboard models that the water channel integrated board compatible with are:....

ROG STRIX Z390-E GAMING
ROG STRIX Z390-H GAMING
ROG STRIX Z370-F GAMING
ROG MAXIMUS X HERO
ROG MAXIMUS X HERO (WI-FI AC)
ROG MAXIMUS IX HERO
ROG STRIX Z370-E GAMING
ROG STRIX Z370-H GAMING
ROG STRIX B360-F GAMING
ROG STRIX Z270F GAMING
ROG STRIX Z270E GAMING
ROG STRIX Z270H GAMING
ROG Maximus XI Hero
ROG Maximus XI Hero Black Ops
ROG MAXIMUS VIII EXTREME/ASSEMBLY
PRIME Z370-A
PRIME Z390-A
PRIME Z390-P
TUF Z390-PRO GAMING
TUF Z370-PRO GAMING
MAXIMUS VIII HERO
MAXIMUS VIII RANGER
Z170 PRO GAMING
Z170-AR

We recommend using the above models of motherboards and more compatible motherboards will b e updating at any time.

Additional Information

Brand	Barrow
SKU	TTP90-SDB
Weight	4.0000
Color	Clear
Reservoir Type	Distribution plate
Vendor SKU/EAN	6937826612480

