

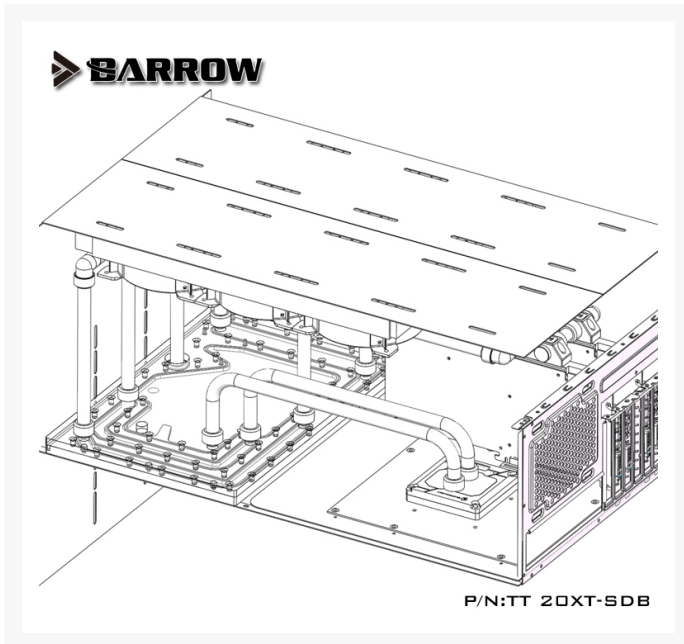
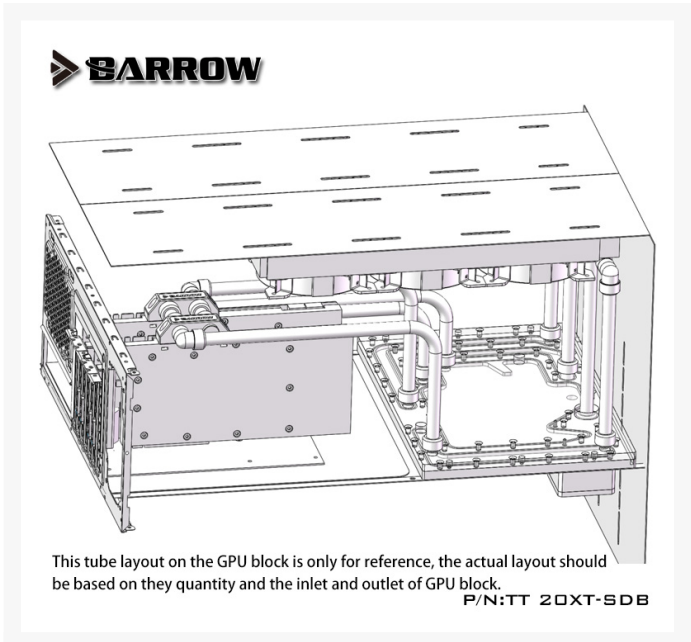
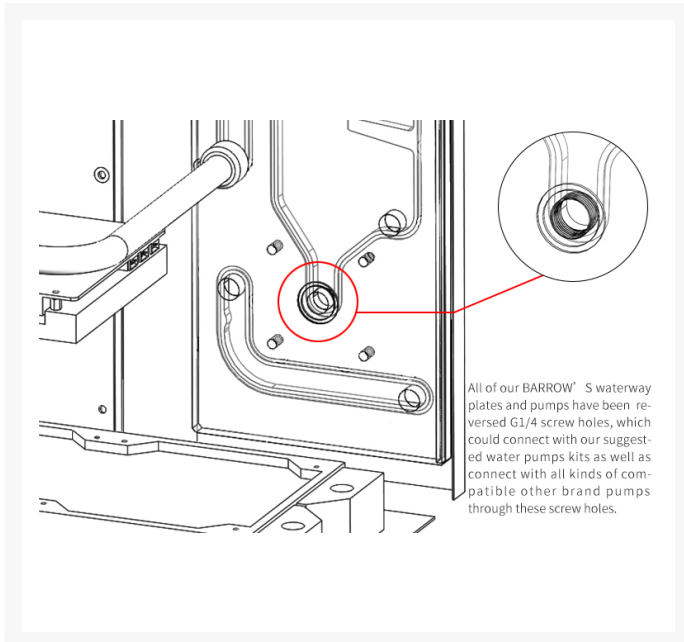


BARROW Barrow waterway plate for TT LEVEL 20XT case Aurora

Special Price
\$63.56 was
~~\$165.99~~

Product Images





Short Description

This water channel board from Barrow is made out of acrylic and is made specifically to fit the interior of the TT Core P5.

Description

This water channel board from Barrow is made out of acrylic and is made specifically to fit the interior of the TT 20XT.

Please Note: The water channels within these waterway plates may update without notice. Overall dimension

of waterway will stay the same

Features

The motherboard models that the water channel integrated board compatible with are:....

- ROG STRIX Z390-E GAMING
- ROG STRIX Z390-H GAMING
- ROG STRIX Z370-F GAMING
- ROG MAXIMUS X HERO
- ROG MAXIMUS X HERO (WI-FI AC)
- ROG MAXIMUS IX HERO
- ROG STRIX Z370-E GAMING
- ROG STRIX Z370-H GAMING
- ROG STRIX B360-F GAMING
- ROG STRIX Z270F GAMING
- ROG STRIX Z270E GAMING
- ROG STRIX Z270H GAMING
- ROG Maximus XI Hero
- ROG Maximus XI Hero Black Ops
- ROG MAXIMUS VIII EXTREME/ASSEMBLY
- PRIME Z370-A
- PRIME Z390-A
- PRIME Z390-P
- TUF Z390-PRO GAMING
- TUF Z370-PRO GAMING
- MAXIMUS VIII HERO
- MAXIMUS VIII RANGER
- Z170 PRO GAMING
- Z170-AR

We recommend using the above models of motherboards and more compatible motherboards will be updating at any time.

Recommend Parts:

Name	Model	Quantity
Barrow 90°Rotary Adapter (Male to Female)	TWT90-v2.5	8
Barrow Male to Female Extender - 7.5mm	TNYZ-G7.5	1
Barrow Male to Female Extender - 10mm	TNYZ-G10	2
Barrow Male to Female Extender - 40mm	TNYZ-G40	2
Barrow Compression Fitting - OD: 14mm Rigid Tubing (Smooth)	TLGYKN-14	18
Barrow Multicolor New CD Composite plate Finish Stop Plug Fitting	TLCDT-V1	2
Barrow Flat push type check valve (Male to Female)	TTLPGF	1

Barrow 2016 New Manual automatic integrated Exhaust valve	TPQZ-V2	1
Barrow 360MM Dabel-a series Radiator (Thick:34MM)	Dabel-a 360	2
Barrow Aurora PWM speed control through-hole 17W pump kit for waterway plate	SPB17-T V2	1
BARROW 16 ways full function RGB and fan integrated controller (support to remote control and synchronization motherboard RGB)	DK301-16	1
Barrow New RGB LRC2.0 version Flow Indicator for computer water cooling	SLFV1-RGB	1
Barrow New Edition Water Cooling Liquid	SLYS-V2	3
Barrow 14*10 Normal temperature type PETG Tube(ID: 10MM, OD: 14MM, Length: 500MM)	PG1410-L	8
Barrow RGB full color speed regulation and lighting integrated fan with Hydraulic bearing PWM speed regulation	BF04-PR	8

Additional Information

Brand	Barrow
SKU	TT-20XT-SDB
Weight	4.0000
Color	Clear
Reservoir Type	Distribution plate
Vendor SKU/EAN	6937826613234
Special Price	\$63.56

