



LAMPTRON Rubber Screws - Open
Chassis Fan Mounts
(Vibration Isolators) - Set of
4 - Black

Special Price
\$1.04 was
\$1.49

Product Images



Short Description

These fan mounts not only mount your case fan - they dampen the vibration between the case (or other mounting surface) and the fan. This results in up to a seven decibel decrease in perceivable noise of a mounted fan.

Description

These are extremely high quality parts with very supple rubber used. These are far superior to the Sunbeam product which simply does not work.

These fan mounts not only mount your case fan - they dampen the vibration between the case (or other mounting surface) and the fan. This results in up to a seven decibel decrease in perceivable noise of a mounted fan.

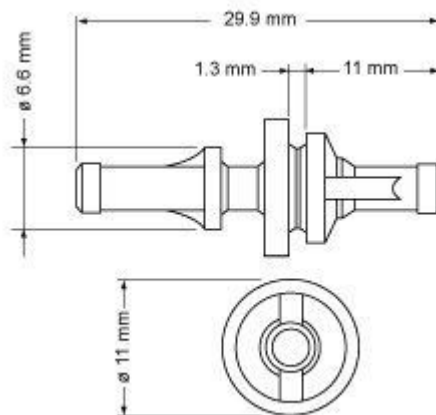
Each package contains four fan vibration isolators which are compatible with standard fan screw holes and fans with open corners. The standard fan screw hole size is 7/32" (5.5 mm). Please double check your fan and case for compatibility before purchasing.

These fan mounts work with our 80mm, 92mm , and 120mm case fans. They don't work with 60mm case fans since 60mm fans have a smaller hole than the 7/32" standard fan screw hole.

Price is per Pack of 4

Features

- Prevents resonance, absorbs vibrations that otherwise would be transmitted from the fan into the computer case.
- To be used on open chassis fans
- 4 units to be used per fan



Note: These fan mounts work only on fans whose mounting holes are the easy fan mount type (which have no additional plastic beyond the hole).

Additional Information

Brand	Lamptron
SKU	RS-OC-BK-D
Weight	0.1000
Color	Black
Hardware Type	Screw
Material	Rubber
Special Price	\$1.04

