

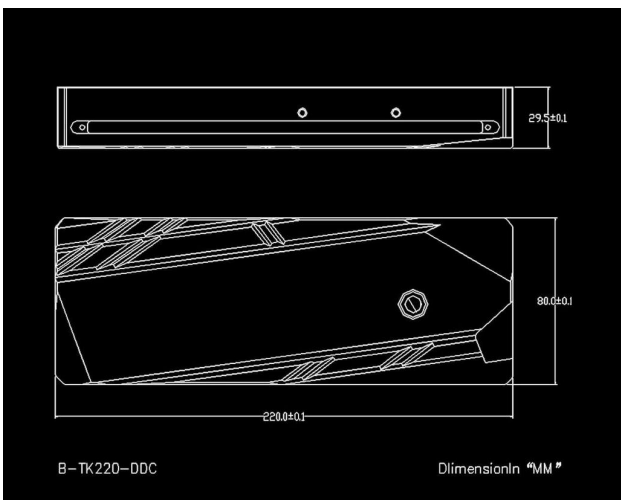


# Bykski DDC Pump Station Kit - 220mm - Clear w/ 5v Addressable RGB (RBW) (B- TK220-DDC)

**\$144.95**

## Product Images





## Short Description

The Bykski DDC Pump Station Kit is a one stop solution for your pump needs. The 220mm PMMA top

showcases whatever fluid you run with. The included powerful DDC pump powers the station delivering flow across your loop. Multiple mounting options are included with a 120mm mounting bracket and DIY elbow brackets.

## Description

---

The Bykski DDC Pump Station Kit is a one stop solution for your pump needs. The 220mm PMMA top showcases whatever fluid you run with. The included powerful DDC pump powers the station delivering flow across your loop. Multiple mounting options are included with a 120mm mounting bracket and DIY elbow brackets.

## Features

---

- Precision Custom Layout
- Crystal Clear PMMA

## Specifications

---

### Specifications

- Material:Clear PMMA
- Length:220mm
- Overall Width:80mm
- Thread:G 1/4
- Pump:B-DDC-ITN
- Max RPM:5000
- Power:12V (TDP15W)
- Power Connector:4-Pin PWM
- Voltage:10-15V
- Flow Rate:600L/H

### Compatibility

- Loop:Aluminum
- Mount Type:120mm Mount Bracket or DIY

### Included Parts

- 1x 220mm Pump Top
- Mounting Brackets + Hardware
- DDC Pump w/ Heatsink

## Additional Information

---

Brand	Bykski
SKU	B-TK220-DDC
Weight	2.5000
Color	Clear
Reservoir Type	Built-in
Tube Res Length	220mm
Pump Type	DDC

