

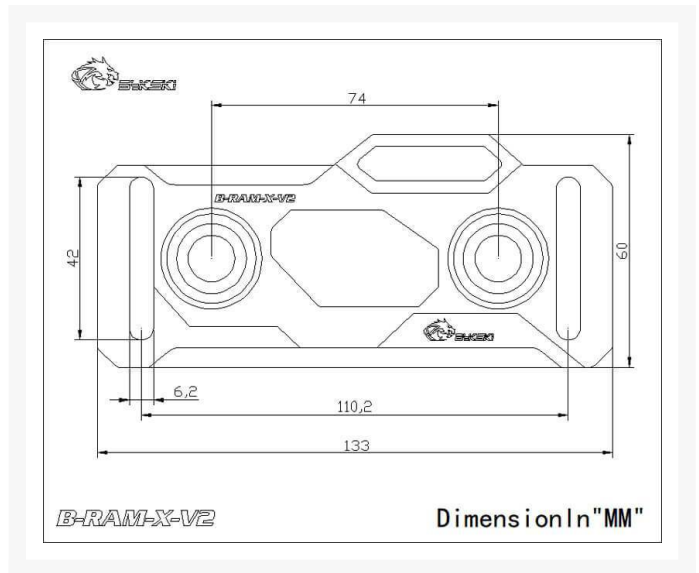
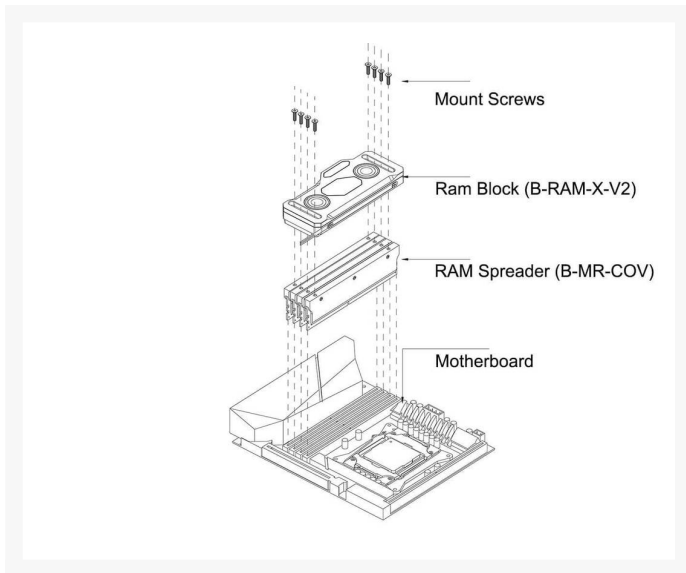


Bykski Dual Channel Memory Water Block - Silver w/ 5v Addressable RGB (RBW) (B-RAM-X-V2)

\$39.99

Product Images





Short Description

The Bykski Dual Channel Memory Water Block when used in conjunction with the Bykski Heat Spreader can effectively move heat away from your memory. The water block can accommodate up to 4 spreaders.

Description

The Bykski Dual Channel Memory Water Block when used in conjunction with the Bykski Heat Spreader can effectively move heat away from your memory. The water block can accommodate up to 4 spreaders.

Warnings: These are designed to work with the Bykski Memory Heat Spreaders (B-MR-COV) and are required for use.

Features

- Finest Craftmanship
- Designed to Fit up to 4x heat spreaders
- Aluminum Top Plate

Specifications

Specifications

- Model: B-RAM-X-V2
- Brand: Bykski
- Port Thread: G1/4

Compatibility

- Loop:Non-Aluminum

Parts Included

- 1x Bykski Dual Channel Memory Water Block - Silver w/ RBG (B-RAM-X-V2)
- 1x 5v Addressable RGB (RBW)s
- Heat Spreaders NOT Included

Additional Information

Brand	Bykski
SKU	B-RAM-X-V2-S
Weight	1.0000
Color	Silver

