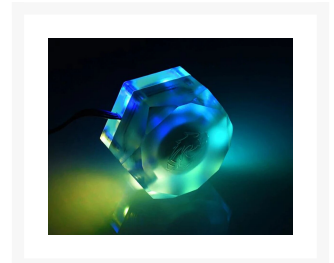


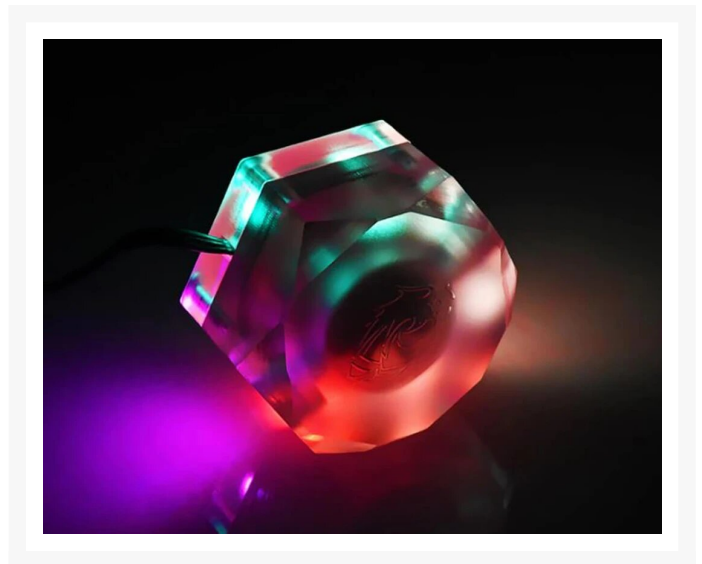
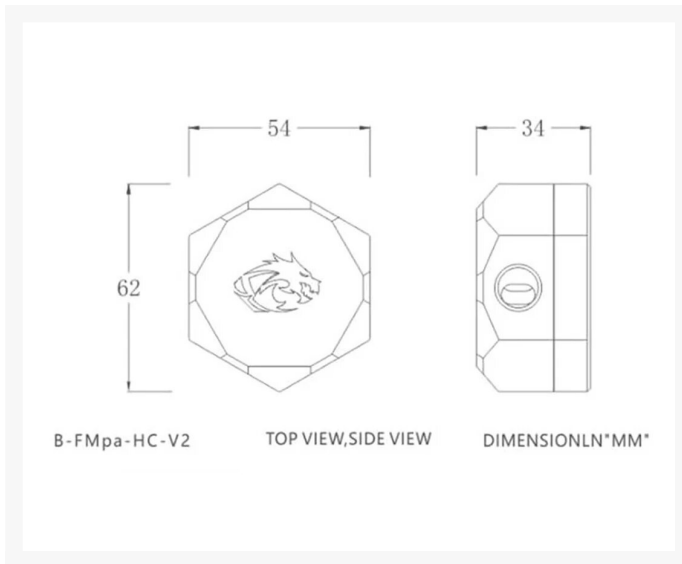


# Bykski 6-Way Flow Indicator - Frosted w/ 5v Addressable RGB (RBW) (B-FMpa-HC-V2)

\$26.99

## Product Images





## Short Description

The Bykski 6-Way Flow Indicator - Frosted w/ 5v Addressable RGB (RBW) is a hexagon shape with ports on all 6 sides. This gives a wide range of options when you integrate into your loop. The included LED is powered by the 5v line. When used in conjunction with a controller the LED color and mode can be controlled.

## Description

The Bykski 6-Way Flow Indicator - Frosted w/ 5v Addressable RGB (RBW) is a hexagon shape with ports on all 6 sides. This gives a wide range of options when you integrate into your loop. The included LED is powered by the 5v line. When used in conjunction with a controller the LED color and mode can be controlled.

## Features

- Frosted Color / Black Indicator
- Multiple Alignment Patterns

## Specifications

### Specifications

- Thread:G1/4
- Color:Frosted
- Material:PMMA

- LED Type:5V RBW
- Brand:Bykski

Compatibility

- Loop:Aluminum or Non-Aluminum

Parts Included

- 1x Bykski 6-Way Flow Indicator
- Port Caps NOT Included
- 1x Addressable RGB (RBW) Light
- 1x Cover
- 2x Mount Screws

Warnings: Vendor is not responsible for any damage caused by or when using this product. Please use at your own risk.

## Additional Information

---

Brand	Bykski
SKU	B-FMPA-HC-V2
Weight	0.3000
Color	Frost
Msc Watercool	Flow Indicator
Material	Acrylic

