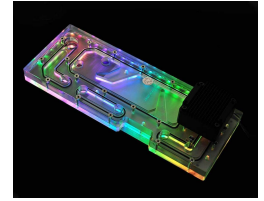
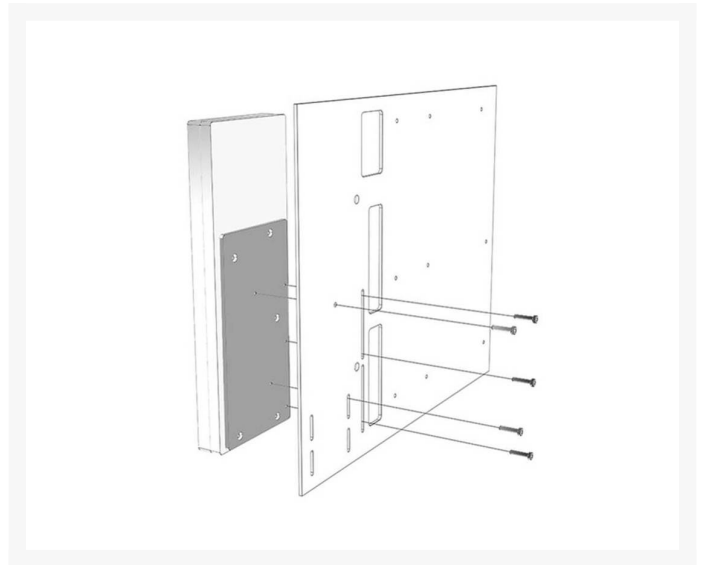
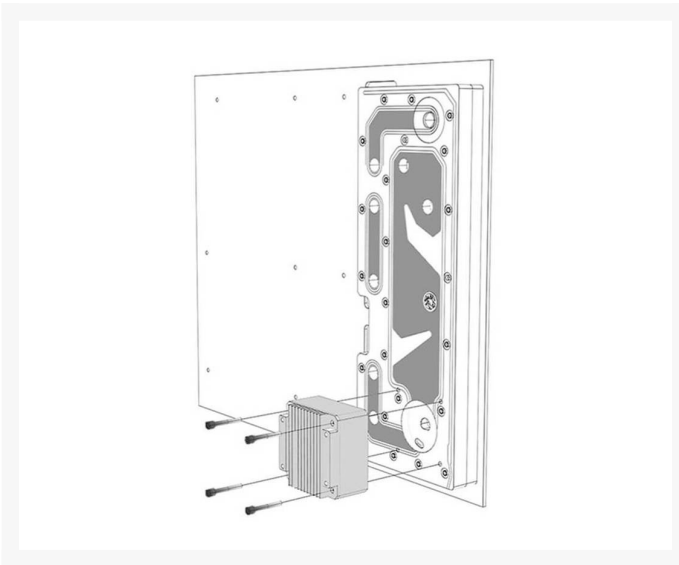
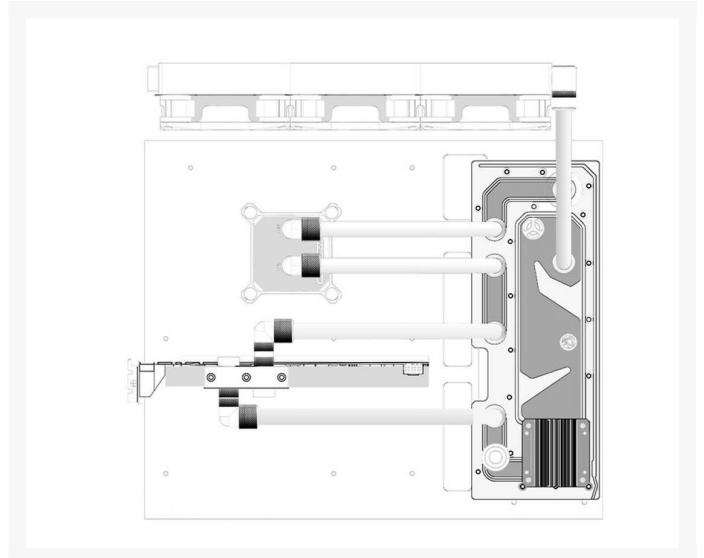


# Bykski Distro Plate - InWin 915 - PMMA w/ 5v Addressable RGB (RBW) (RGV-INW-915)

\$249.99

## Product Images





## Short Description

---

Bykski Distro or distribution plates are a unique way to outfit your cooling loop. These are designed case specific to fit perfectly to create amazing cooling loops and a stunning visual look. Ports are lined up for perfect lines to each cooling device.

## Description

---

Bykski Distro or distribution plates are a unique way to outfit your cooling loop. These are designed case specific to fit perfectly to create amazing cooling loops and a stunning visual look. Ports are lined up for perfect lines to each cooling device.

The Distro plate is engineered to be used with an inline pump (included) allowing you to power your entire loop right from your loop center piece.

Note: Some pictures may show a colored pump armor, product comes with black armor. This block is designed specifically for this case. Using other motherboards, blocks, and layouts is always possible but may not appear as pictured depending on component port locations.

## Features

---

- Precision Custom Layout
- Crystal Clear PMMA

## Specifications

---

### Specifications

- Material:Clear PMMA
- Length:
- Tube Width:
- Overall Width:
- Thread:G 1/4

### Specifications - DDC

- Heatsink Material:Aluminum
- Power:Standard 4 pin power connector and a PWM 4-Pin header
- Voltage Range:10V - 15V DC
- MTBF (Mean Time Between Failure):50,000 hours equivalent to 5 years lifetime
- Maximum discharge:~ 132 GPH (600 LPH)
- Max RPM:5000
- Dimensions:62 x 62 x 58mm
- Performance will vary based on cooling loop dynamic

### Compatibility

- Loop:Aluminum or Non-Aluminum
- Radiator:Designed for 30mm thick or less
- Case Type:InWin 915
- Motherboard Type (for clean lines):
  - ASUS MAXIMUS VIII HERO
  - ASUS Z170 PRO GAMING
  - ASUS Z170-AR
  - ASUS Z170-PRO
  - ASUS MAXIMUS VIII RANGER
  - ASUS MAXIMUS VIII GENE
  - ASUS Z170-DELUXE
  - ASUS ROG STRIX Z370-F GAMING
  - ASUS ROG MAXIMUS X HERO
  - ASUS ROG MAXIMUS X HERO(WI-FIAC)
  - ASUS ROG MAXIMUS IX HERO
  - ASUS ROG STRIX Z370-E GAMING

- ASUS ROG STRIX Z370-H GAMING
- ASUS ROG STRIX B360-F GAMING
- ASUS PRIME Z370-A
- ASUS TUF Z370-PRO GAMING
- ASUS ROG STRIX Z270F GAMING
- ASUS ROG STRIX Z270E GAMING
- ASUS ROG STRIX Z270H GAMING
- ASUS MAXIMUS VIII HERO
- ASUS Z170 PRO GAMING
- ASUS MAXIMUS VIII RANGER
- ASUS MAXIMUS XIII GENE
- ASUS Z170-DELUXE
- ASUS ROG MAXIMUS VIII FORMULA
- ASUS ROG MAXIMUS VIII EXTREME/ASSEMBLY
- ASUS ROG MAXIMUS VIII HERO ALPHA
- Colorful iGame Z370 Vulcan X
- Colorful iGame Z370-X RNG Edition V20
- Colorful iGame Z270 Flame Wars X
- Colorful iGame Z270 Custom
- GALAXY Z370 Gamer

#### Included Parts

- 1x Distro plate
- Mounting Hardware
- DDC Pump w/ Heatsink (Silver Color)

#### Manufacturer Recommended Bykski Fittings

- Fitting Configuration NOT tested in house at Bykski.us
- 12x (B-HTJ-L14) 14mm Rigid Fittings
- 5x (B-RD90-X) 90° Rotary Adapter
- 2x (B-EXJ-7.5) 7.5mm Extension
- 1x (B-EXV-X) Pressure Valve
- 1x (B-EXJ-10) 10mm Extension
- 1x (B-DTJ-MI) Male to Male Adapter
- 2x (B-EXJ-30) 30mm Extension
- 1x (B-EXPJ-X31) Male to Male SLI Adapter(22-31)
- 1x (B-HP-DV) Female to Female Pull Drain Valve

## Additional Information

---

Brand	Bykski
SKU	RGV-INW-915-K
Weight	4.0000
Color	Clear
Reservoir Type	Distribution plate
Pump Type	DDC

