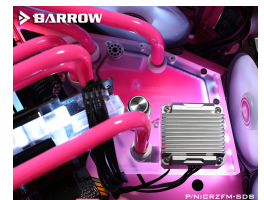
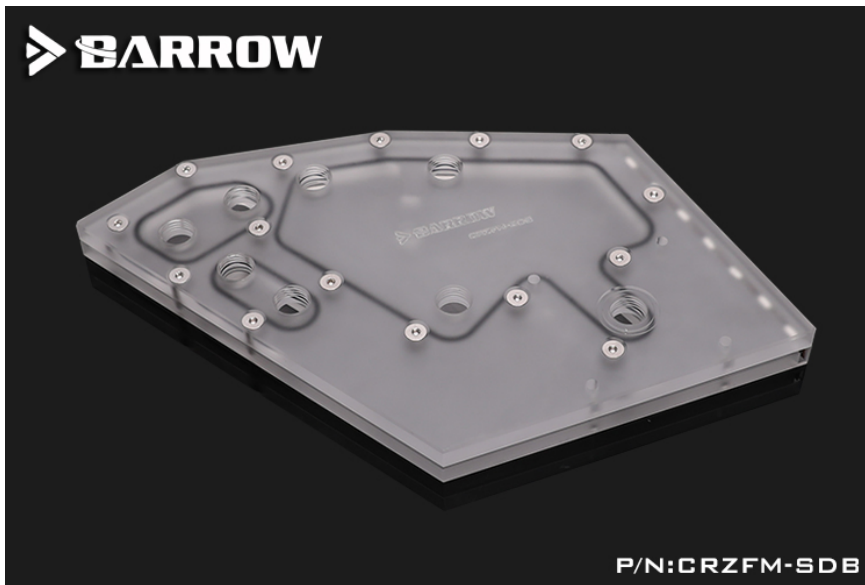




BARROW Barrow LRC2.0 water channel integrated board for COUGAR CONQUEROR mini case

\$118.95

Product Images

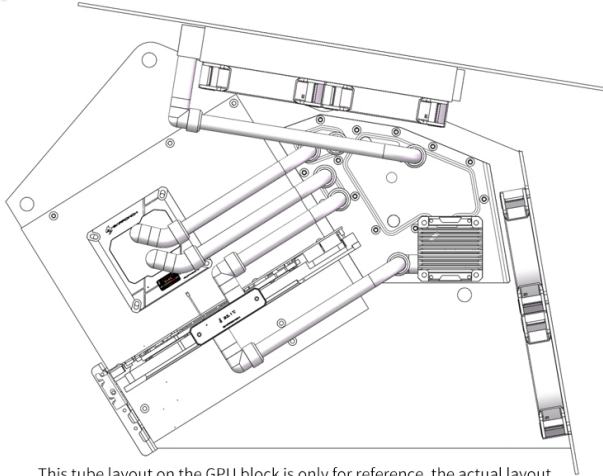


BARROW



P/N:CRZFM-SDB

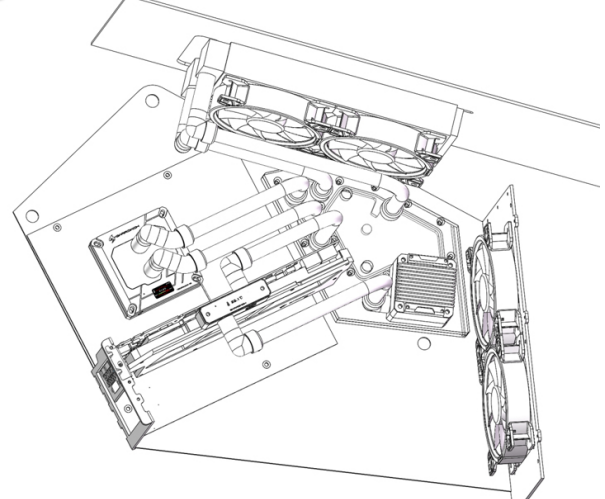
BARROW



This tube layout on the GPU block is only for reference, the actual layout should be based on the inlet and outlet of GPU block.

P/N:CRZFM-SDB

BARROW



P/N:CRZFM-SDB

Short Description

This water channel board from Barrow is made out of acrylic and is made specifically for the COUGAR Gemini T.

Description

This water channel board from Barrow is made out of acrylic and is made specifically for the COUGAR CONQUEROR mini

Please Note: The water channels within these waterway plates may update without notice. Overall dimension of waterway will stay the same

Compatible CPU block



P/N:LTYK3-04 V2



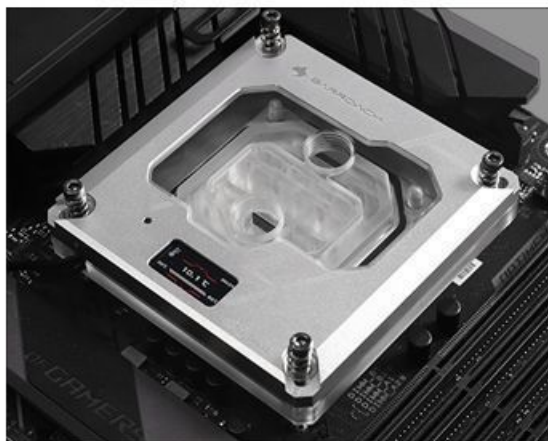
P/N:LTYKB-04N-V2



P/N:LTYKB-ARK



P/N:LTFHB-04N V2



P/N:FBLTFHI-04N V2

Recommended products		
Product name	Product model	number
Barrow 90°Rotary Adapter (Male to Female)	TWT90-v2.5	8
Barrow 45°Rotary Adapter (Male to Female)	TWT45-B01	2

Barrow Flat push type check valve (Male to Female)	TTLPGF	1
Barrow Choice Multicolor Compression Fitting - 14mm OD Rigid Tubing	TFYKN2-T14	12
Barrow Male to Female Extender - 10mm	TNYZ-G10	2
Barrow Male to Female Extender - 20mm	TNYZ-G20	2
Barrow Male to Female Extender - 30mm	TNYZ-G30	2
Barrow Mirror Finish Stop Plug Fitting	TBJDT-V1	3
Barrow Multicolor New CD pattern Manual Exhaust Valve	TPQ-V2	1
Barrow 16路 16 ways full function RGB and fan integrated controller (support to remote control and synchronization motherboard RGB)	DK301-16	1
BARROWCH Chameleon Fish series removable 240 radiator Acrylic edition	FBCFR-240Y	1
Barrow PLUS version PWM control speed 17w pump kit with special used for waterway plate through hole	SPB17-T PLUS	1
Barrow RGB full color speed regulation and lighting integrated fan with Hydraulic bearing PWM speed regulation	BF04-PR	4
Barrow New Edition Water Cooling Liquid	SLYS-V2	1
Barrow 14*10 Normal temperature type PETG Tube(ID: 10MM, OD: 14MM, Length: 500MM)	PG1410-L	8

The motherboard models that the water channel integrated board compatible with are:....ROG STRIX Z390-E GAMING

- ROG STRIX Z390-H GAMING
- ROG STRIX Z370-F GAMING
- ROG MAXIMUS X HERO
- ROG MAXIMUS X HERO (WI-FI AC)
- ROG MAXIMUS IX HERO
- ROG STRIX Z370-E GAMING
- ROG STRIX Z370-H GAMING
- ROG STRIX Z370-F GAMING
- ROG STRIX B360-F GAMING
- ROG STRIX Z270F GAMING
- ROG STRIX Z270E GAMING
- ROG STRIX Z270H GAMING
- ROG MAXIMUS XI EXTREME
- ROG MAXIMUS XI GENE
- ROG Maximus XI Hero
- ROG Maximus XI Hero Black Ops
- ROG MAXIMUS VIII EXTREME/ASSEMBLY
- PRIME Z370-A
- PRIME Z390-A
- PRIME Z390-P
- TUF Z390-PRO GAMING

- TUF Z370-PRO GAMING
- MAXIMUS VIII HERO
- MAXIMUS VIII RANGER
- Z170 PRO GAMING
- Z170-AR

We recommend using the above models of motherboards and more compatible motherboards will be updating at any time.

Additional Information

Brand	Barrow
SKU	CRZFM-SDB
Weight	4.0000
Color	Clear
Reservoir Type	Distribution plate
Vendor SKU/EAN	6937826613531

