

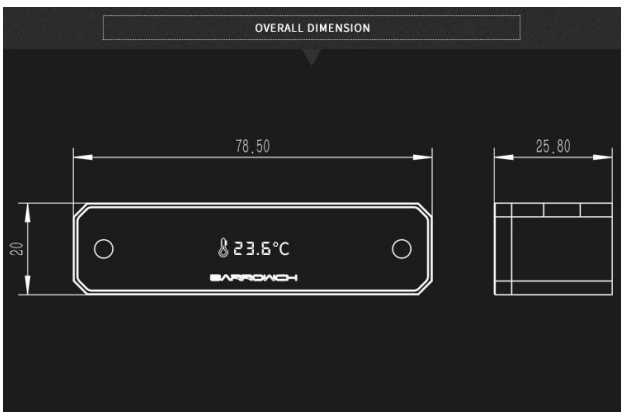


BARROWCH Barrowch digital display  
90° turning terminal  
connector for GPU water  
cooling - Black

\$33.95

Product Images





## Short Description

---

These 90° terminal Temperature Displays from Barrowch replace your existing terminal on your GPU waterblock to give you real time temps.

## Description

---

These 90° terminal Temperature Displays from Barrowch replace your existing terminal on your GPU waterblock to give you real time temps.

## Features

---

# GPU block pre-display digital bridge

Suitable for GPU vertical installation



## Front display

Suitable for GPU vertical installation



## Top change direction

inlet/outlet at the top to meet various pipe direction requirements



## Back change direction

inlet/outlet at the back to meet various pipe direction requirements



## OLED display

Instant display of water temperature, real-time data refresh



Lightweight  
Impact resistant, lightweight POM material



CNC crafts



## Anodizing crafts

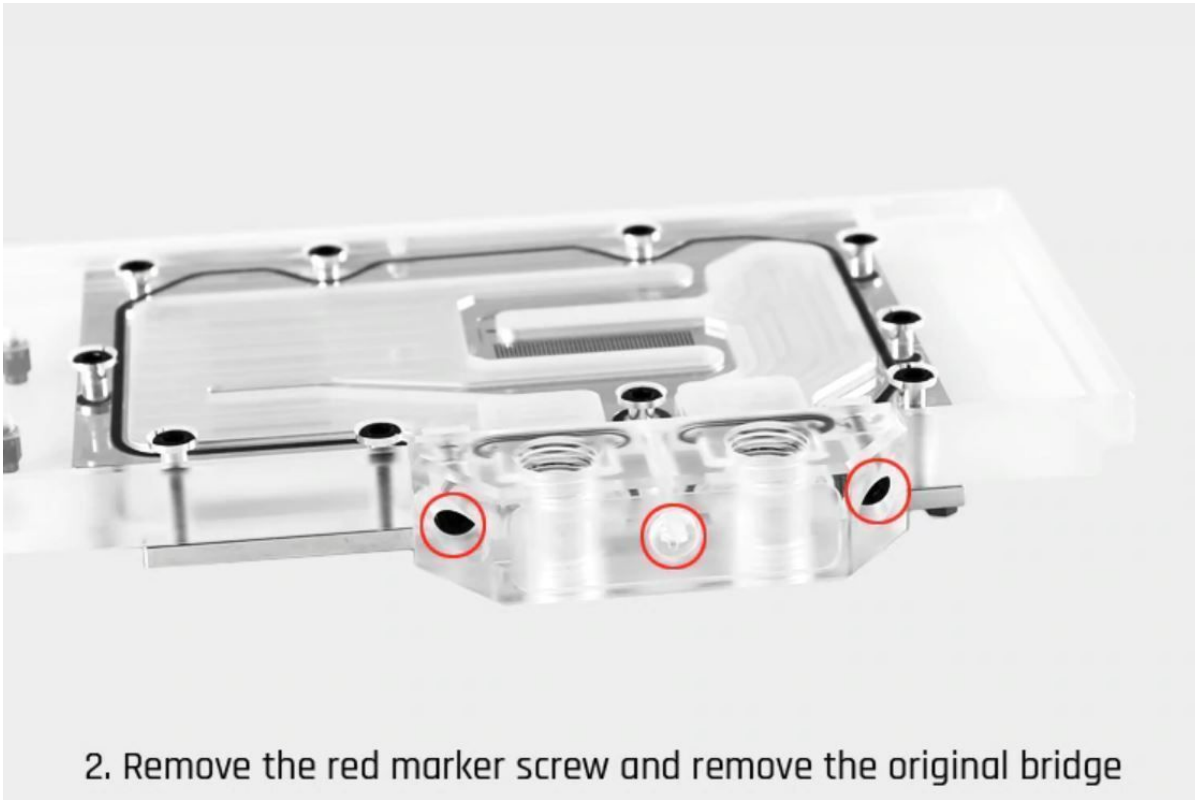


## Specifications

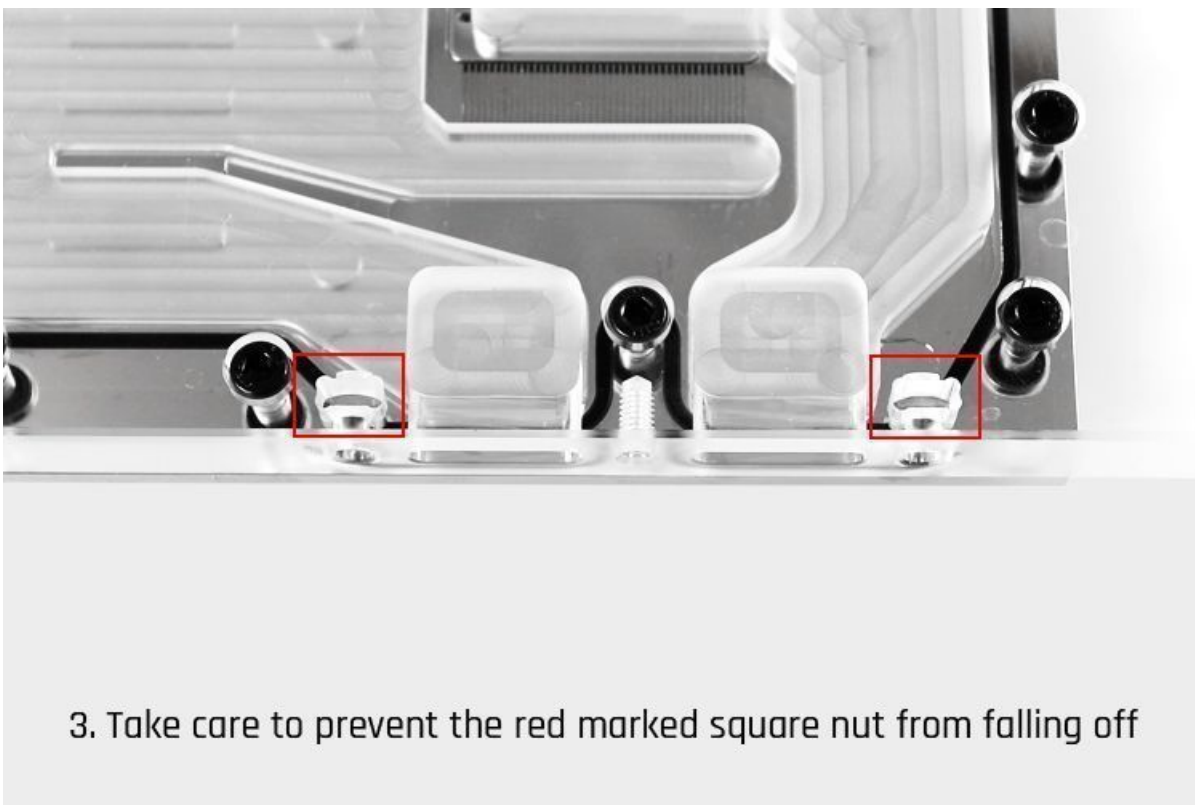
---



1. Remove the label with tweezers

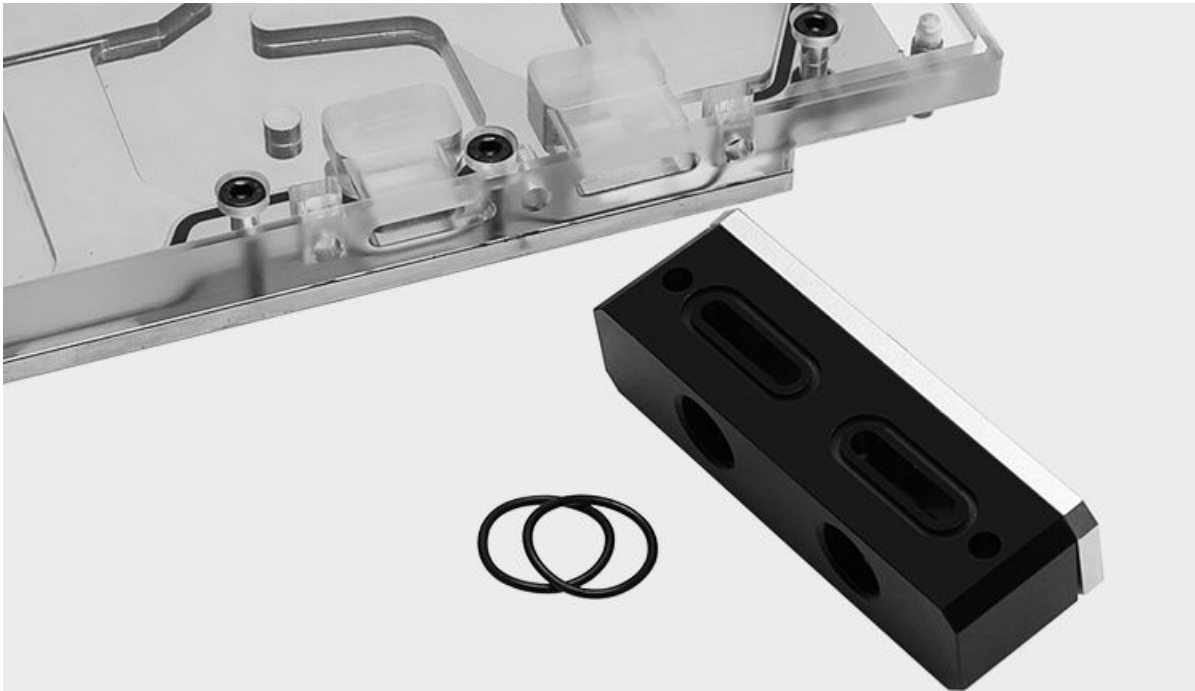


2. Remove the red marker screw and remove the original bridge



3. Take care to prevent the red marked square nut from falling off

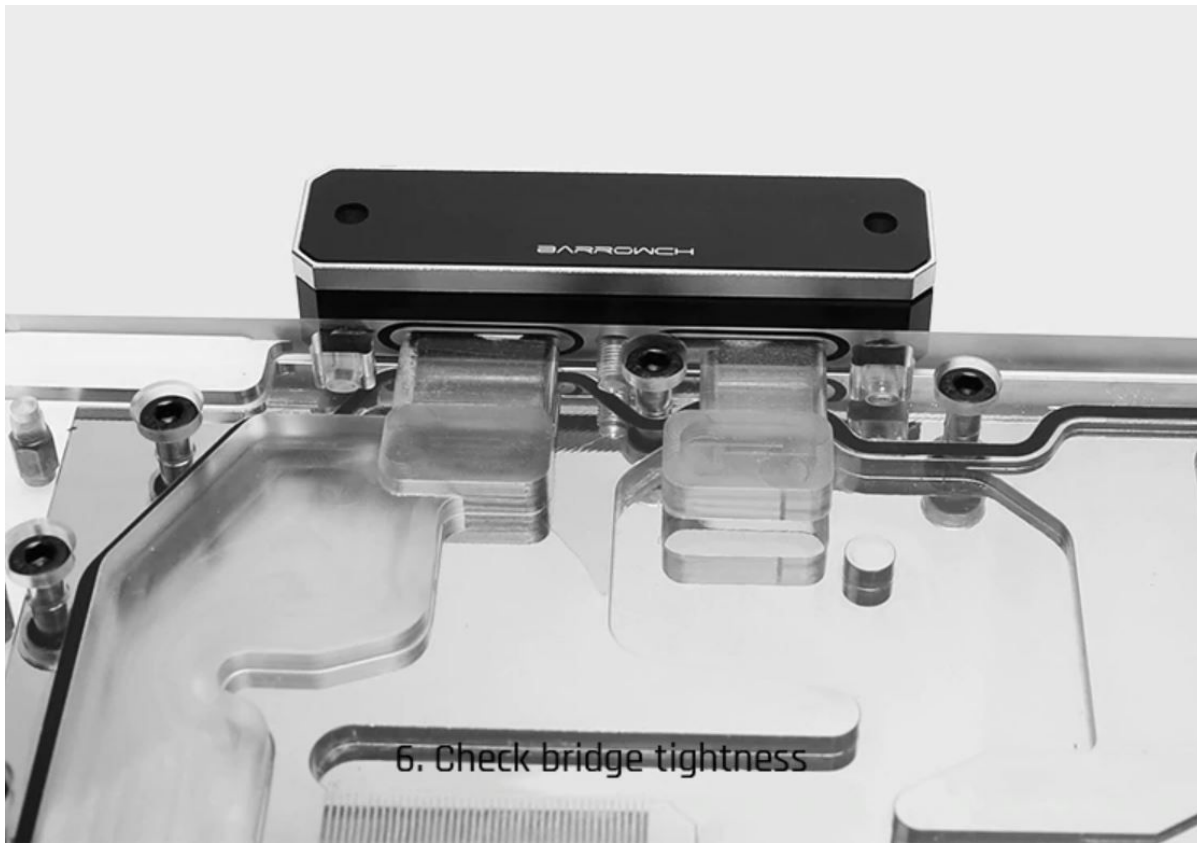




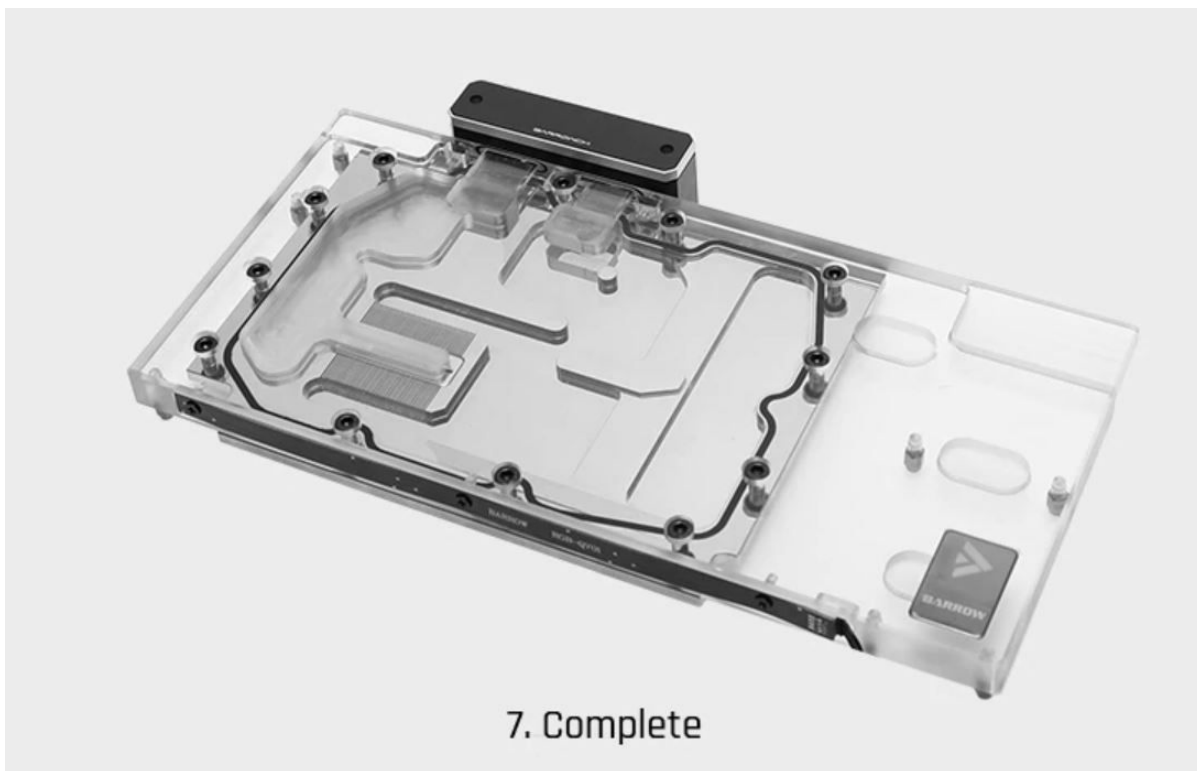
4. Place the silicone ring in the groove of the bridge



5. Install M4\*14 screws



6. Check bridge tightness



7. Complete

## Additional Information

---

Brand	Barrowch
SKU	FBQTS90-01-BK
Weight	0.3000
Color	Black
Msc Watercool	Temp Sensor
Material	Delrin (POM)
Vendor SKU/EAN	6937826663062

