



BARROWCH Barrowch adjustable  
aluminium alloy GPU  
bracket GPU mate - Blood  
Red

\$21.50

Product Images



Short Description

These Barrowch adjustable aluminium alloy GPU bracket not only help fight against GPU sag but they also look great in any build. With a adjustable arm they can work with any GPU.

## Description

---

These Barrowch adjustable aluminium alloy GPU bracket not only help fight against GPU sag but they also look great in any build. With a adjustable arm they can work with any GPU.

## Features

---

**BARROWCH**

P/N:FRTEA-01



## Independent research and development Patent design

It has utility model technology patents + complete intellectual property protection of appearance patent, counterfeiting is not allowed

BARROWCH

P/N:FRTEA-01



## **CNC** precision finishing

The entire aluminum alloy sheet is processed by multiple processes **CNC** machining

BARROWCH

P/N:FRTEA-01



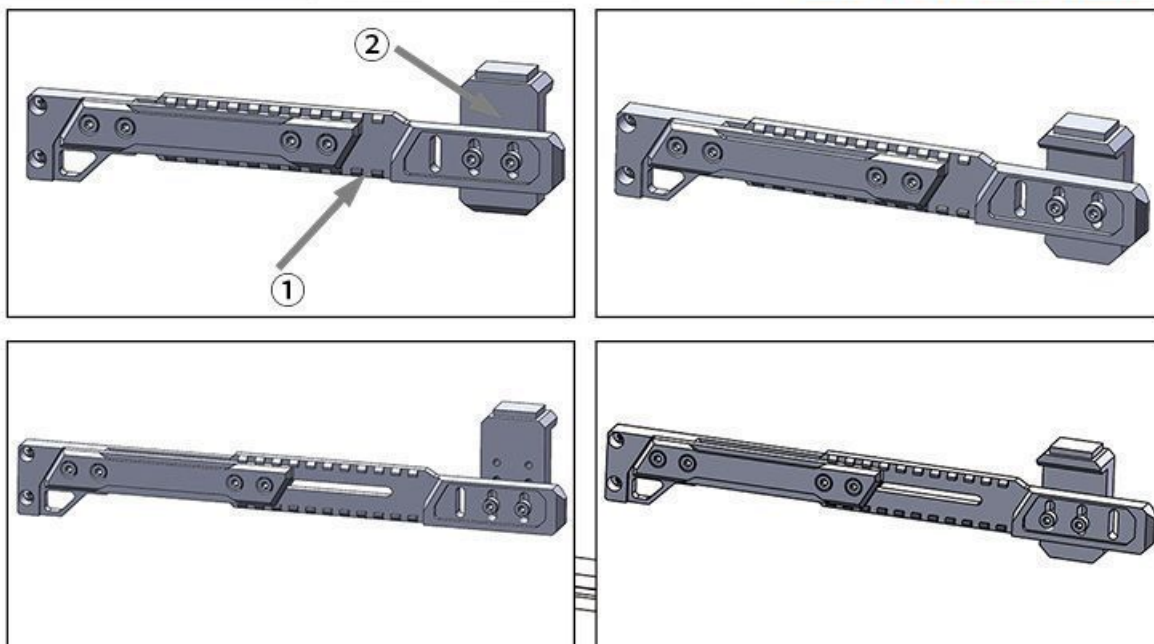
## scientific structure design

Telescopic structure design, Adding telescopic structure, It is more convenient to use

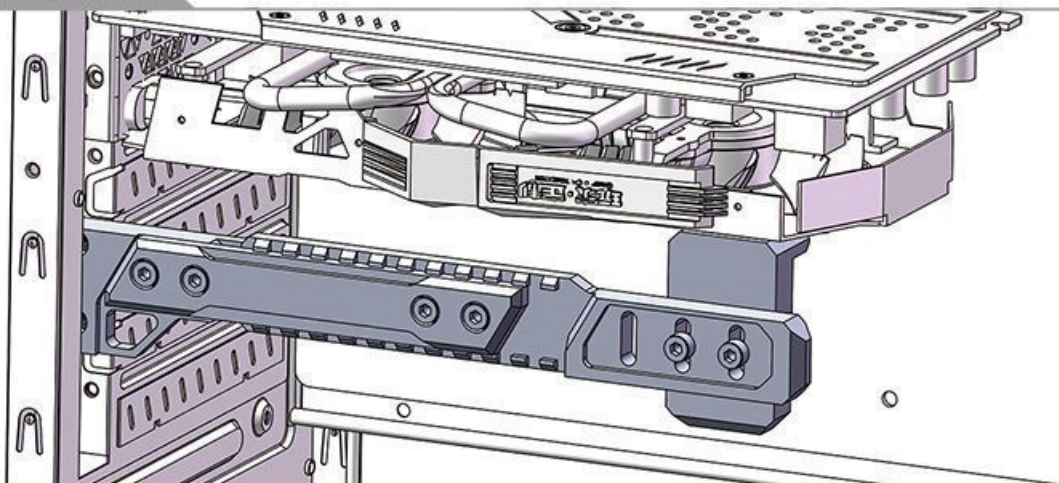
### Specifications

---

<b>Name</b>	Barrowch adjustable aluminum alloy graphics card bracket
<b>Model</b>	FRTEA-01
<b>Material</b>	aluminum alloy
<b>Weight</b>	169g
<b>Specification</b>	longest 257mm; shortest 201mm
<b>Feature</b>	<ul style="list-style-type: none"> <li>• Independent research and development, The product has applied for a patent for appearance, and counterfeiting not allowed;</li> <li>• Aluminum alloy material, never deformed;</li> <li>• Support long, medium and short version graphics card;</li> <li>• Supports air cooling and water cooling;</li> <li>• Telescopic structure design, convenient to use;</li> <li>• Adjustable telescopic rod and support position, more flexible;</li> <li>• Multi-color assembly, colour assortment is more rich and colorful;</li> <li>• In case product appearance upgrade, without further notice, prevail in kind.</li> </ul>



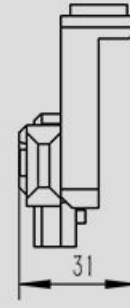
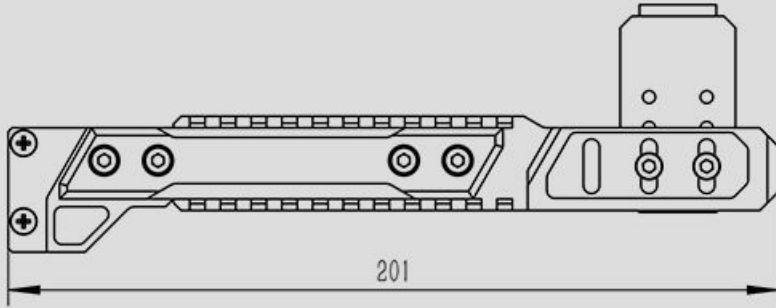
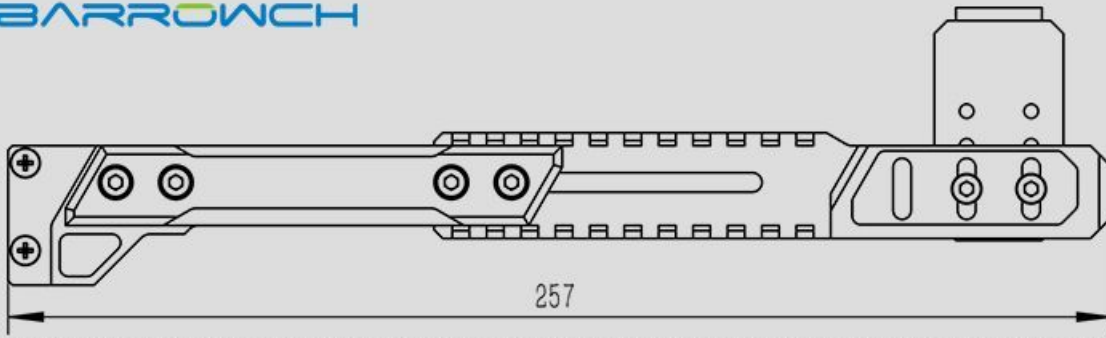
安装实例



安装说明

1. 显卡支架伸缩杆 (①) 为长条孔, 可根据需要左右移动
2. 支撑位 (②) 可按一个长条孔为单位进行左右移动
3. 支撑位 (②) 可在长条孔内进行上下微调

1. Adjust the main body of VGA bracket(1): Move up or down according to a baffle unit
2. Adjust the brace position(2) : moved left or right according to a long hole unit
3. Fine adjustment brace position(2): move up and down in the long hole



DIMENSION IN MM

## Additional Information

Brand	Barrowch
SKU	FRTEA-01-BR
Weight	1.0000
Color	Red
Case Accessory Type	GPU Anti-Sag Bracket
Vendor SKU/EAN	6937826662096

