



BARROWCH Barrowch FB-NVTT-01,
Aluminum Alloy Back Plate,
Dedicated For Founder
Edition/Reference Series
RTX2080Ti GPU - RTX Logo

Special Price
\$25.71 was
\$34.95

Product Images



Short Description

This Barrowch backplate is specific for Nvidia Founder Edition/Reference Series RTX2080Ti GPU Series VGA cards. Made of aluminum alloy this back plates aids in cooling the VGA card memory chips and other components and adds a gorgeous cosmetic look to your watercooling build!

Description

This Barrowch backplate is specific for Nvidia Founder Edition/Reference Series RTX2080Ti GPU Series VGA cards. Made of aluminum alloy this back plates aids in cooling the VGA card memory chips and other components and adds a gorgeous cosmetic look to your watercooling build!



Compatible with SLI

Compatible with all NVlink SLIs on the market



CNC Process



Hollow out shape



Appearance

More styling with Barrowch GPU block



In picturesque disorder

The back has a sunken shape with a folding groove

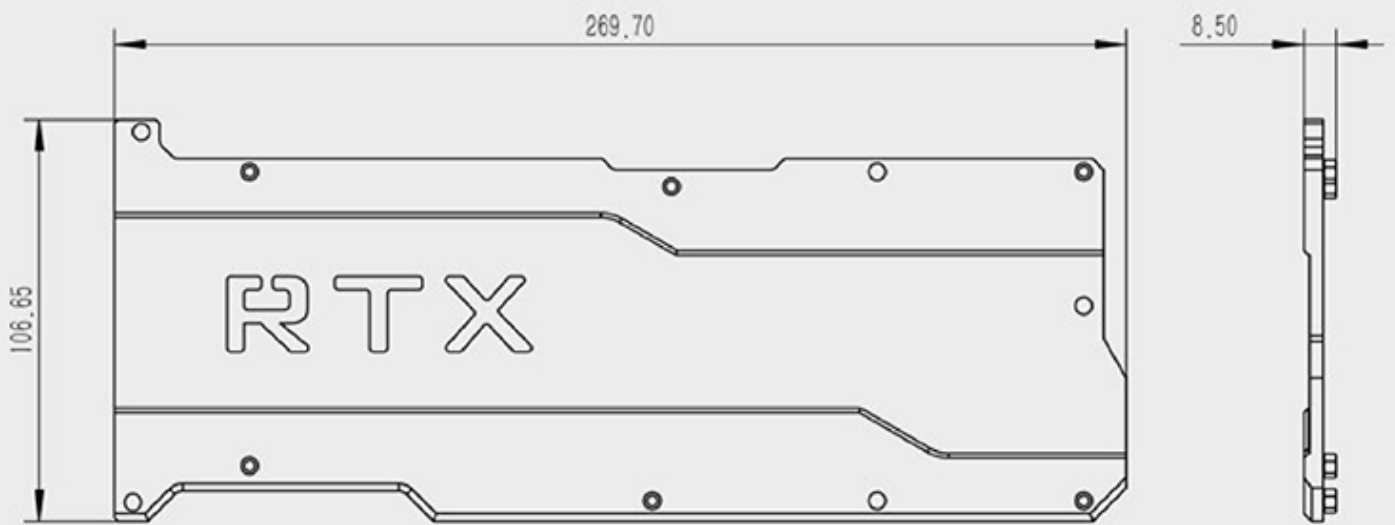


Extra thick plate

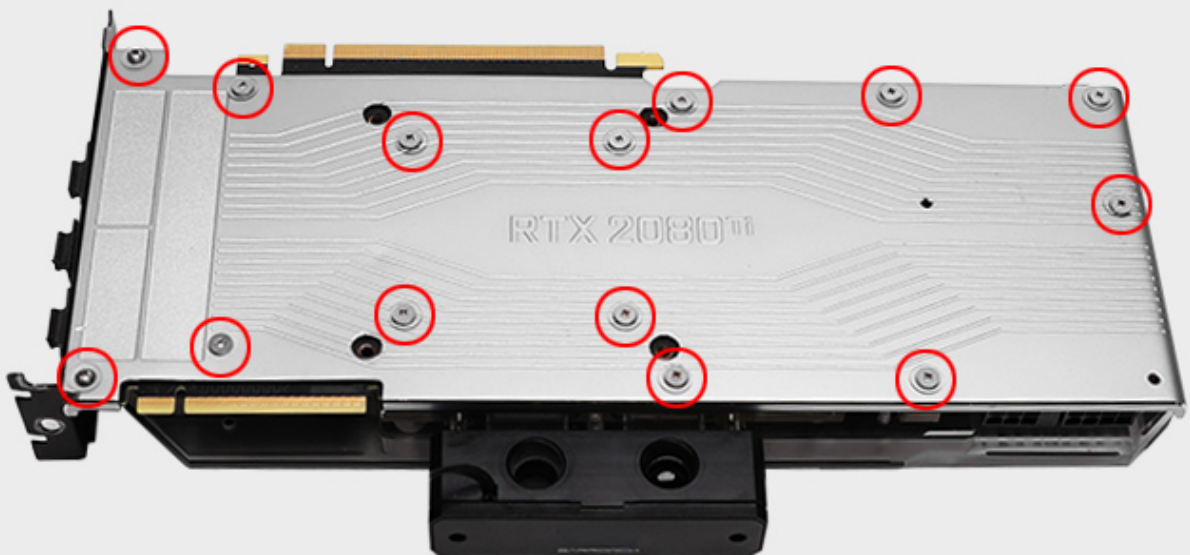
5mm extra thick plate, strengthen overall strength



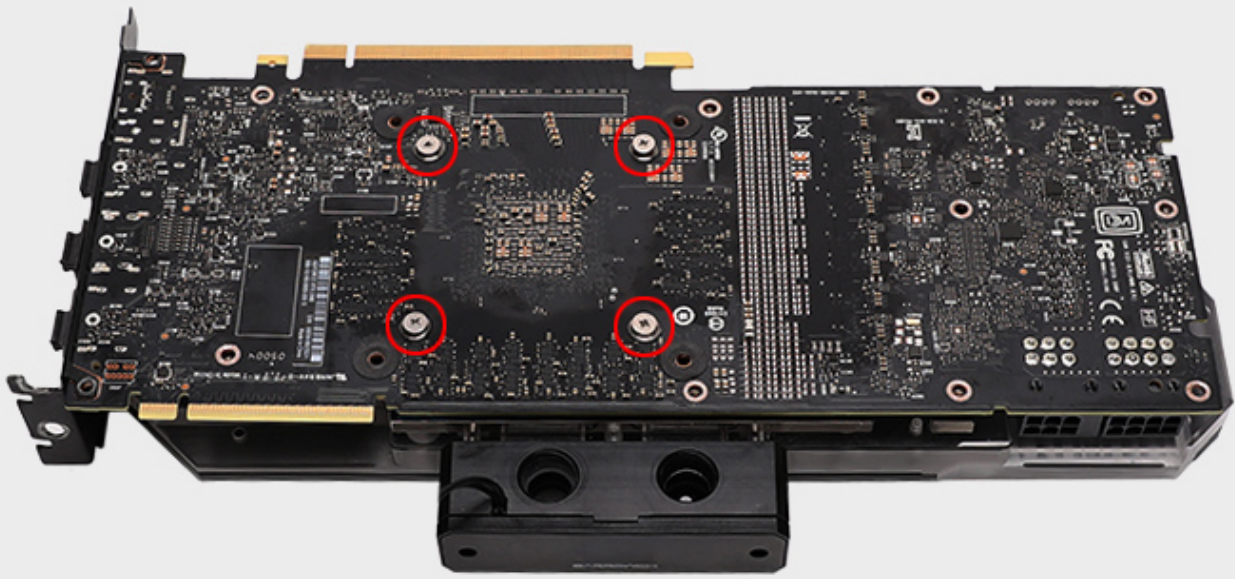
Size



INSTALL TUTORIAL (DEMONSTRATION)



1. Remove the screws with red mark

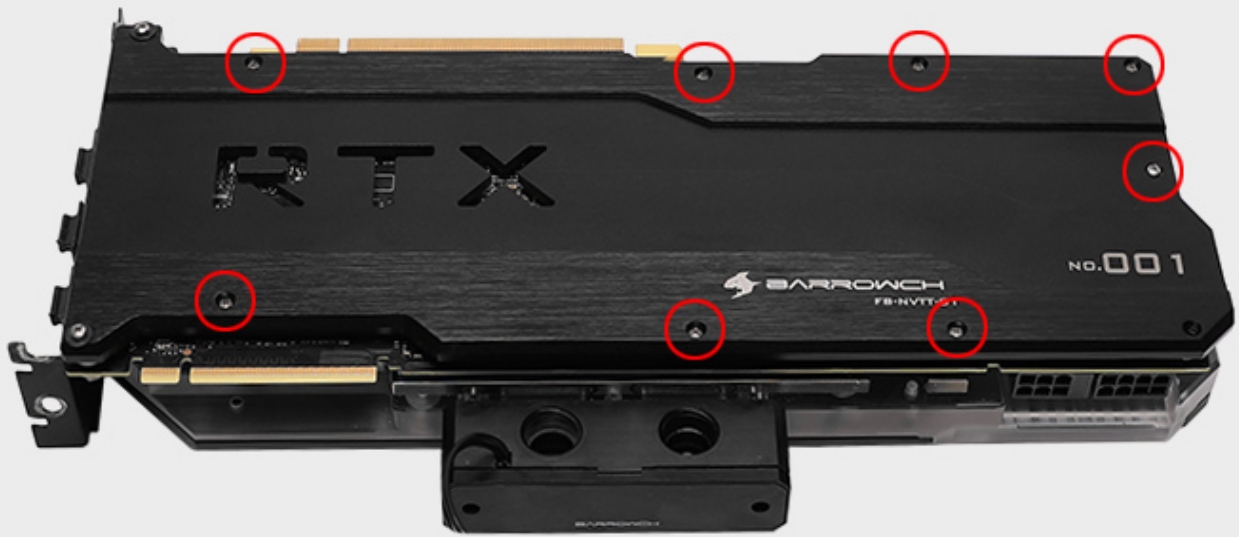


2. Install the screws with red mark



3. Use matching screws, nuts, black thin gaskets, ABS thick gaskets

Tighten as shown, and complete the installation of the backplane, bezel, and PCB



4. Install the screws with red mark

PURCHASE INFORMATION

1. This backplane is suitable for Barrow and Barrowch models: BS-NVG2080T-PA, FB-NVG2080T-PA.
2. This backplane is compatible with all GPU block based on founder edition/reference PCB GPU.
3. The GPU in the picture is for reference only.
4. The product is updated from time to time, please refer to the actual product received.

Additional Information

Brand	Barrowch
SKU	FB-NVTT-01-RTX-D
Weight	1.0000
Color	Black
Vga	NVIDIA® GeForce® RTX 2080 Ti
Block Accessory Type	VGA Backplate
Material	Aluminum
Vendor SKU/EAN	6937826662966
Special Price	\$25.71

