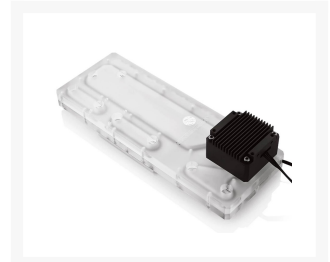


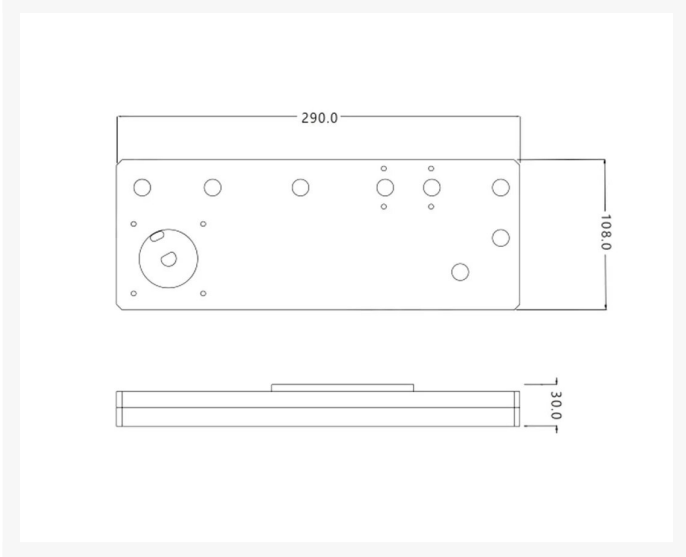


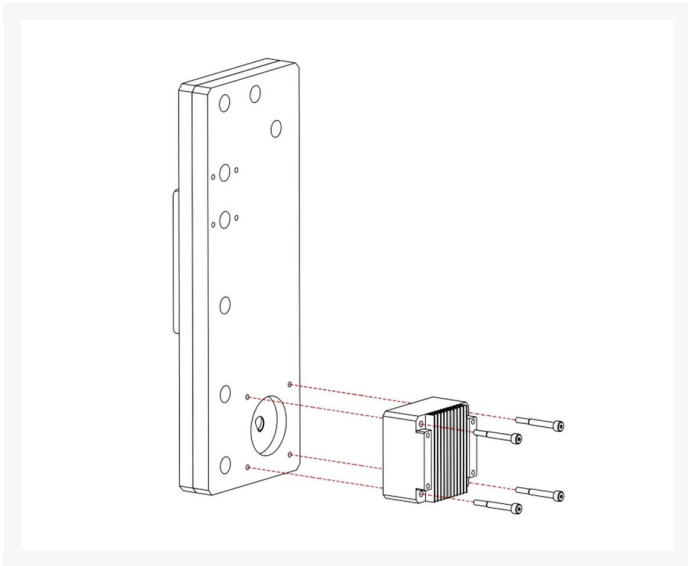
Bykski Distro Plate - Antec DF500 - PMMA w/ 5v Addressable RGB (RBW) (RGV-Antec-DF500)

\$249.99

Product Images







Short Description

Bykski Distro or distribution plates are a unique way to outfit your cooling loop. These are designed case specific to fit perfectly to create amazing cooling loops...

Description

Bykski Distro or distribution plates are a unique way to outfit your cooling loop. These are designed case specific to fit perfectly to create amazing cooling loops and a stunning visual look. Ports are lined up for perfect lines to each cooling device.

The Distro plate is engineered to be used with an inline pump (included) allowing you to power your entire loop right from your loop center piece.

Note: Some pictures may show a colored pump armor, product comes with black armor.

Features

- Precision Custom Layout
- Crystal Clear PMMA

Specifications

Specifications - Distro Plate

- Material:Clear PMMA
- Thread:G 1/4

Specifications - DDC

- Heatsink Material:Aluminum
- Power:Standard 4 pin power connector and a PWM 4-Pin header
- Voltage Range:10V - 15V DC
- MTBF (Mean Time Between Failure):50,000 hours equivalent to 5 years lifetime
- Maximum discharge:-~ 132 GPH (600 LPH)
- Max RPM:5000
- Dimensions:62 x 62 x 58mm
- Performance will vary based on cooling loop dynamic

Compatibility

- Loop:Aluminum or Non-Aluminum
- Radiator:Designed for 30mm thick or less
- Case Type:Antec DF500 (specific)
- Motherboard Type (for clean lines):
 - ASUS MAXIMUS VIII HERO
 - ASUS Z170 PRO GAMING
 - ASUS Z170-AR
 - ASUS Z170-PRO
 - ASUS MAXIMUS VIII RANGER
 - ASUS MAXIMUS VIII GENE
 - ASUS Z170-DELUXE
 - ASUS ROG STRIX Z370-F GAMING
 - ASUS ROG MAXIMUS X HERO
 - ASUS ROG MAXIMUS X HERO(WI-FIAC)
 - ASUS ROG MAXIMUS IX HERO
 - ASUS ROG STRIX Z370-E GAMING
 - ASUS ROG STRIX Z370-H GAMING
 - ASUS ROG STRIX B360-F GAMING
 - ASUS PRIME Z370-A
 - ASUS TUF Z370-PRO GAMING
 - ASUS ROG STRIN Z270F GAMING
 - ASUS ROG STRIX Z270E GAMING
 - ASUS ROG STRIX Z270H GAMING
 - ASUS MAXIMUS VIII HERO
 - ASUS Z170 PRO GAMING
 - ASUS MAXIMUS VIII RANGER
 - ASUS MAXIMUS XIII GENE
 - ASUS Z170-DELUXE
 - ASUS ROG MAXIMUS VIII FORMULA
 - ASUS ROG MAXIMUS VIII EXTREME/ASSEMBLY
 - ASUS ROG MAXIMUS VIII HERO ALPHA
 - Colorful iGame Z370 Vulcan X
 - Colorful iGame Z370-X RNG Edition V20
 - Colorful iGame Z270 Flame Wars X
 - Colorful iGame Z270 Custom
 - GALAXY Z370 Gamer

Included Parts

- 1x Distro plate
- Mounting Hardware
- DDC Pump w/ Heatsink (Color based on option)

Manufacturer Recommended Bykski Fittings

- Fitting Configuration NOT tested in house at PrimoChill
- 10x (B-HTJ-L14) 14mm Rigid Fittings
- 7x (B-RD90-X) 90° Rotary Adapter
- 1x (B-EXJ-10) 10mm Extension
- 2x (B-EXJ-40) 40mm Extension
- 1x (B-DTJ-MI) Male to Male Adapter
- 1x (B-HP-DV) Female to Female Pull Drain Valve
- 1x (B-EXV-X) Pressure Valve
- 1x (B-EXJ-15) 15mm Extension
- 1x (B-EXJ-20) 20mm Extension
- 1x (B-EXPJ-X) Male to Male SLI Adapter

Warnings

This block is designed specifically for this case. Using other motherboards, blocks, and layouts is always possible but may not appear as pictured depending on component port locations.

*Bykski.us is not responsible for any hardware damage. Use at your own risk.

Additional Information

Brand	Bykski
SKU	RGV-Antec-DF500
Weight	4.0000
Color	Clear
Reservoir Type	Distribution plate
Pump Type	DDC

