

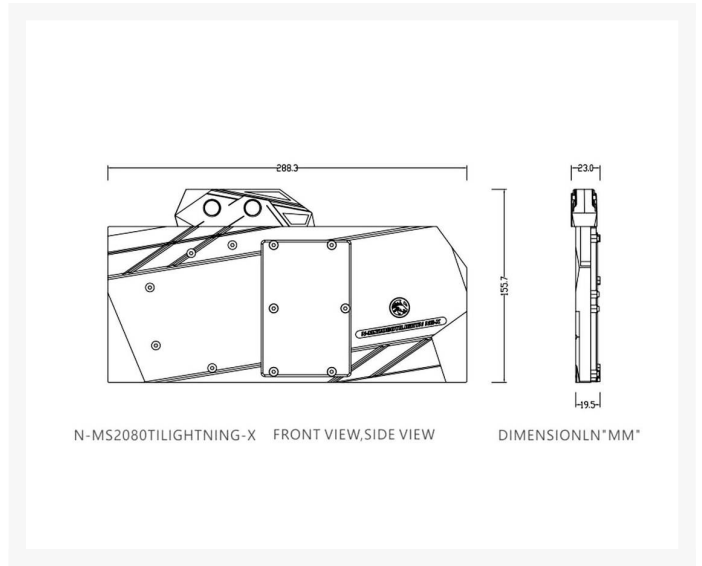
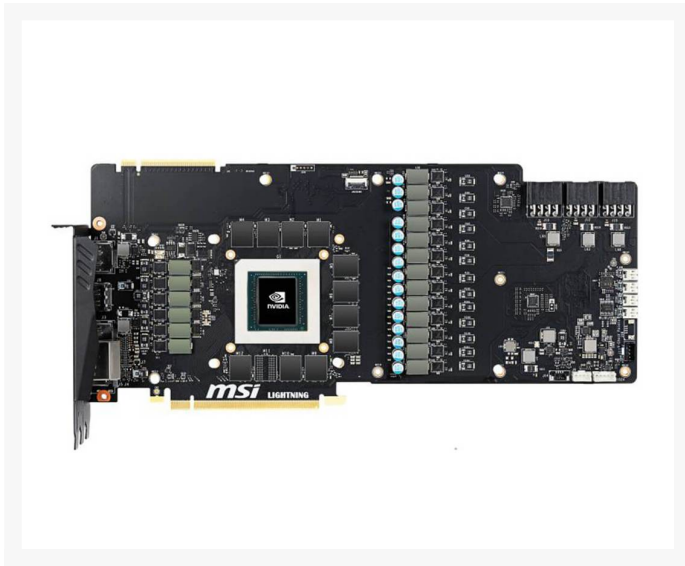


# Bykski MSI RTX 2080Ti Lightning Full Coverage GPU Water Block - Clear (N- MS2080TILIGHTNING-X)

Special Price  
**\$70.00** was  
**\$149.99**

## Product Images





## Short Description

---

The Bykski MSI RTX 2070 / 2080 Ventus V2 Full Coverage GPU Water Block is a work of art! This full coverage block, directly cools the video cards core (GPU),...

## Description

---

The Bykski MSI RTX 2070 / 2080 Ventus V2 Full Coverage GPU Water Block is a work of art! This full coverage block, directly cools the video cards core (GPU), graphics memory (RAM) as well as the voltage regulator modules (VRM). By directly cooling these components you can achieve great temperatures! Along with these temperatures comes the ability to reach higher overlocks or extend the overall lifespan of your card by running at below factory temps.

The block is constructed of high purity copper that is electroplated to prevent oxidation. A high flow design is used to allow multiple blocks to run in series. Top and bottom ports can be used to configure parallel or serial designs in multi block set ups.

## Features

---

- Finest Craftmanship
- Designed to Fit Standard G1/4 Thread Fittings
- SLI/Crossfire Compliant

# Specifications

---

## Specifications

- Model:N-MS2080TILIGHTNING-X
- Brand:Bykski
- Material:Electroplated High Purity Copper / Clear Acrylic

## Compatibility

- *(Including but not limited to the following models)*
- MSI RTX 2080Ti Lightning
- MSI RTX 2080Ti Lightning Z
- *compatibility based on this design only, block may not fit altered / super clocked and other third party variations that deviate from this design.*
- Fittings:G 1/4 Thread
- Stock Backplates:Due to mounting variances between cards, stock backplates not guaranteed to fit.

## Parts Included

- 1x Full Coverage GPU Water Block
- 2x Stop Fitting
- 1x Mounting Hardware
- Thermal grease
- 1x 5v Addressable RGB (RBW)
- (Warning: Addressable RGB (RBW) is 5V and is ONLY compatible with Addressable RGB (RBW) components. RGB is 12V and is ONLY compatible with RGB components. Mix and match will NOT work and will cause damage.

## Warnings

This is a repair or replace only item. Returns not accepted on compatibility issues or block has had water/fluid run through it.

Manufacturer reserves right to alter block design to expand compatibility. Delivered item may not 100% match pictured item. Product does NOT come with English instructions.

Bykski.us is not responsible for any damage caused by or when using this product. Please use at your own risk.

## Additional Information

---

Brand	Bykski
SKU	N-MS2080TILIGHTNING-X-D
Weight	3.0000
Color	Clear
Vga	MSI RTX 2070 / 2080 Ventus V2
Block GPU Type	Nvidia
Block Style	Nickel-Plexi
Special Price	\$70.00

