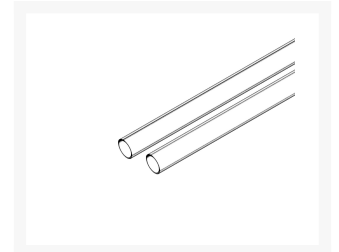
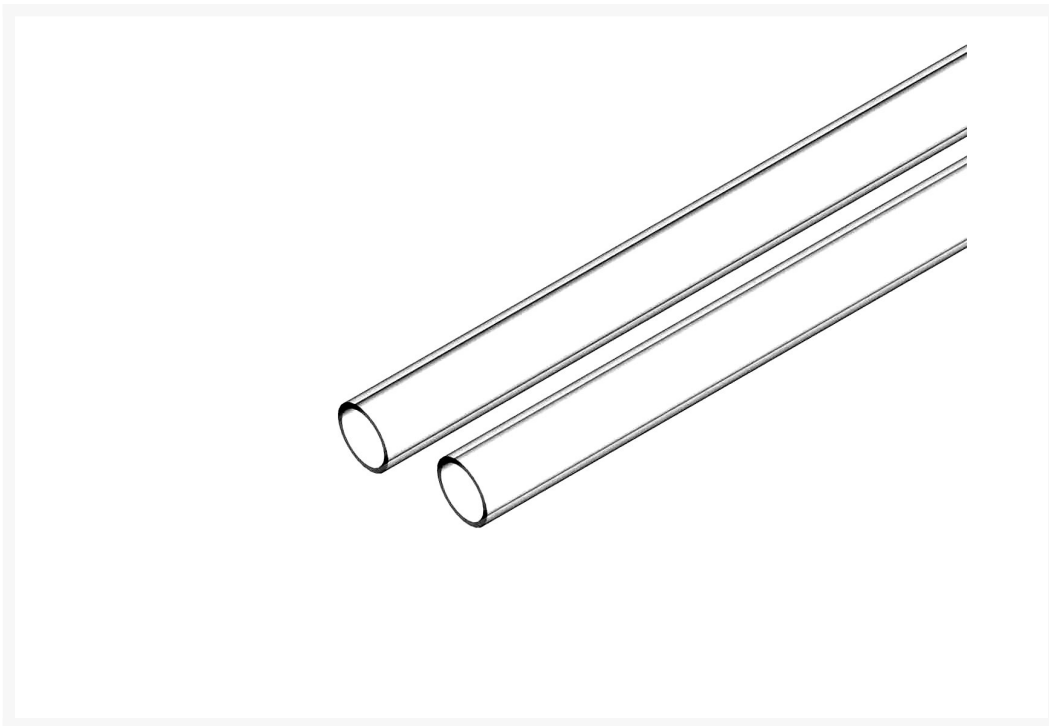




Watercool 16/12mm Acrylic Rigid Hardtube (2 x 500mm) - clear

\$10.95

Product Images



Short Description

The most stylish and optical pleasing way to connect your watercooling components is, without a doubt, hardtubing. Acrylic (PMMA) tubes deliver the best possible visual result: absolutely clear, without a shimmer of color to it, brilliant crystal clear visuals. This tubes will make the fluid of your choice look amazing!

Description

The most stylish and optical pleasing way to connect your watercooling components is, without a doubt, hardtubing. Acrylic (PMMA) tubes deliver the best possible visual result: absolutely clear, without a shimmer of color to it, brilliant crystal clear visuals. This tubes will make the fluid of your choice look amazing!

This set contains two tubes of 50cm length each.

Specifications

Specs:

Material: PMMA (Plexi)

Color: Clear transparent

Outer diameter: 16mm

Inner diameter: 12mm

Scope of delivery:

2 x 16/12mm Acrylic Rigid Hardtube 500mm - clear

Additional Information

Brand	Watercool
SKU	WC-50232
Weight	2.0000
Color	Clear
Tube Type	Acrylic
Tube Size	12mm x 16mm

