



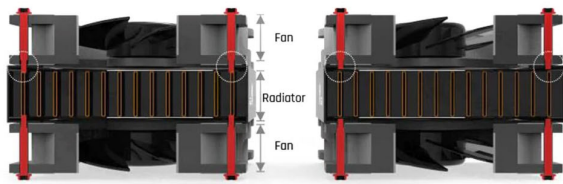
Bykski 120mm x 39mm Copper Radiator - Thick - Black (B-RD120-TK)

\$49.95

Product Images

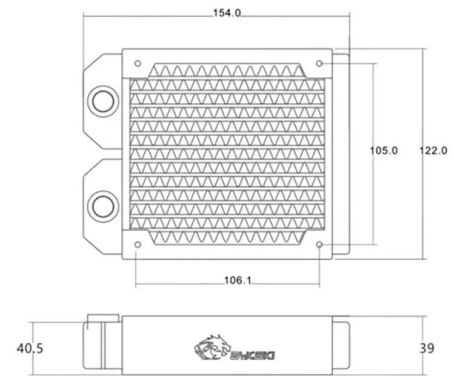


Always use the screws that come with this radiator
Please note: Do not use screws that are too long.
Excessive screws can damage the radiator and cause water leakage.



⚠ Screws too long

✓ Install correctly



Short Description

Bykski B-RD120-TK radiator is a dual row copper radiator. The thickness of the radiator is 39mm which along with the dual channels gives a great total surface...

Description

Bykski B-RD120-TK radiator is a dual row copper radiator. The thickness of the radiator is 39mm which along with the dual channels gives a great total surface area for it's overall size. This surface area provides solid cooling performance making the TK series a perfect solution.

Features

- Dual Channel Design
- Industry Standard G1/4 Thread
- Copper Core

Specifications

- Material:Copper / Brass
- Dimensions:154mm x 122mm x 39mm
- Ports:2
- Thread:G 1/4
- Channels:12 / Dual Row

- Pressure:1.5bar
- Weight:0.974 Kg

Compatibility

- Fan:120mm

Included Parts

- 1x Radiator
- Mounting Hardware

Warnings

Radiator is formed by a high temperature integrated soldering process. Due to this, there will be a slight color change in the copper, this is s result of the process not rust.

Please pay attention to the length of the screw. If the screw is too long, it will break through the radiator and cause water leakage and voiding warranty.

Radiator come with equipped with M3X30mm screws suitable for 12cm fans of 25mm thickness, If you want to install a thinner fan, please choose the right length of the screw.

*Bykski.us is not responsible for any hardware damage. Use at your own risk.

Additional Information

Brand	Bykski
SKU	B-RD120-TK-BK
Weight	1.7000
Color	Black
Radiator Size	120 (1 x 120mm)
Radiator Thickness	39mm

