

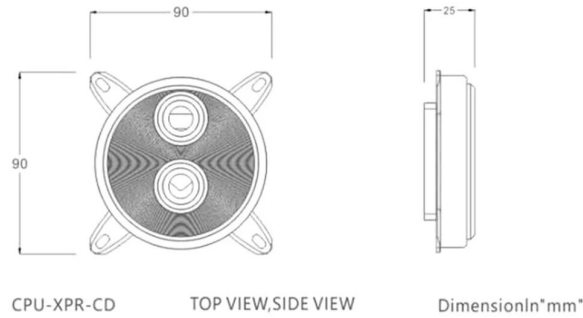


Bykski CPU-XPR-CD Intel CPU Water Cooling Block - Silver w/ 5v Addressable RGB (RBW) (LGA 115x /1366/20xx)

\$44.99

Product Images





Short Description

The Bykski CPU-XPR-CD CPU Water Cooling Block features a full clear body that is constructed of high purity PMMA. The base is high purity electroplated copper. The top cover is...

Description

The Bykski CPU-XPR-CD CPU Water Cooling Block features a full clear body that is constructed of high purity PMMA. The base is high purity electroplated copper. The top cover is made of aluminum and is not in contact with the coolant. A high flow design is used to allow maximum performance.

Features

- Finest Craftmanship
- Designed to Fit Standard G1/4 Thread Fittings

Specifications

- Model:CPU-XPR-CD
- Brand:Bykski
- Material: High Purity Copper Base / PMMA Body / Aluminum Top Plate
- Thread:G1/4

Compatibility

- Loop:Non-Aluminum
- Socket: Intel LGA 1150/1151/1155/1156 / LGA 1366 / LGA 2011/2066
- Fittings: G 1/4 Thread

Parts Included

- 1x CPU Water Cooling Block
- 1x Mounting Hardware
- 1x 5v Addressable RGB (RBW)

Warnings

Manufacturer reserves right to alter block design to expand compatibility. Delivered item may not 100% match pictured item.

Not responsible for any damage caused by or when using this product. Please use at your own risk.

Additional Information

Brand	Bykski
SKU	CPU-XPR-CD
Weight	1.5000
Color	Silver
CPU Series	Intel's LGA 1150, 1155, 1156, 1366, 2011, 2011-3 and 2066
Block CPU Type	Intel
Block Style	Nickel-Plexi

