



BARROW Barrow PWM Speed Control Mini 17Watt Pump and Integrated Reservoir Combo - Silver

\$64.95

Product Images



Short Description

Barrow PWM Speed Control Mini 17Watt Pump and Integrated Reservoir Combo SPB17-TM. BARROW brand is committed to creating the most suitable for your products. High quality raw materials + professional environmental coating. Exquisite production technology + the whole produce chain control. High value products + reasonable product price.

Description

Barrow PWM Speed Control Mini 17Watt Pump and Integrated Reservoir Combo SPB17-TM. BARROW brand is committed to creating the most suitable for your products. High quality raw materials + professional environmental coating. Exquisite production technology + the whole produce chain control. High value products + reasonable product price. Because the focus, so professional. The use of internal label for P2 brushless permanent magnet motor components provide internal drive for the cooling system tailored to the whole square structure, small volume, strong performance, can provide the system with sufficient power, and maintain long-term stable working state. Optional 5MM lighting lamp accessories can provide single dazzling lighting effects. Acrylic cover material is brittle, individual modifications do not use excessive force and tighten the screws at the interface connector, will likely lead to thread cracking. The pump cover and the water tank can be freely combined and separated, and can be purchased in different lengths of pipe components to upgrade and refit.

Features

For Lighting please add/order one of these (not included with the pump/res combo):

Barrow Manual LRC2 RGB(5v 3pin RGB) Led Controller

Barrow Remote LRC2 RGB(5v 3pin RGB) Led Controller





Rotate clockwise for manual adjustment



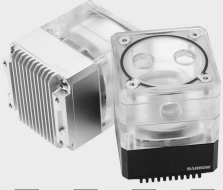
Counterclockwise twist to the end
into the PWM mode



P/N:SPB17-T V2

PWM Pump with Mini Reservoir

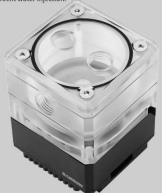
Cool / High efficiency / Heat sinking / Professional



- Mini Size
- Aluminum alloy radiator
- Colorful lighting
- Square water tank

Multiple-direction water inlets/outlets

01 Three dimensions are preset on the water tank for three inlets/outlets, which realize convenient water injection.



"ITX" Partner

With the clear height of 60mm, it is compatible with compact tank of ITX type well.



Strong heat dissipation

03 Cryptographic cooling fins and endowed heat dissipation structure realize all-round heat dissipation with strong power.



Separated function interface

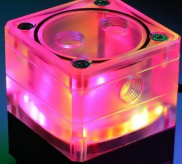
04 Separated function interface can independently control water pump's every function, which is convenient and rapid.



- Method of supply
- Interface of PWM
- Interface of 5V RGB
- Method of Speed control

Colorful lighting

05 Every ARROW RGB 2.0 lighting system, it can realize synchronous and asynchronous control. It show the gorgeous colors, and is compatible with 5V programmable lighting interfaces of some motherboard.



- Rainbow
- Gradient change
- Wave
- Breath
- Double Fish
- Circular

CNC processing and modeling

06 Selected high-quality raw materials are modelled through CNC, surface anodic technology is adopted to greatly show texture.



Aluminum alloy radiator is processed and modelled from integral aluminum alloy through CNC, and anodic oxidation technology is adopted to make the radiator maintain brilliant colors after long-term use.

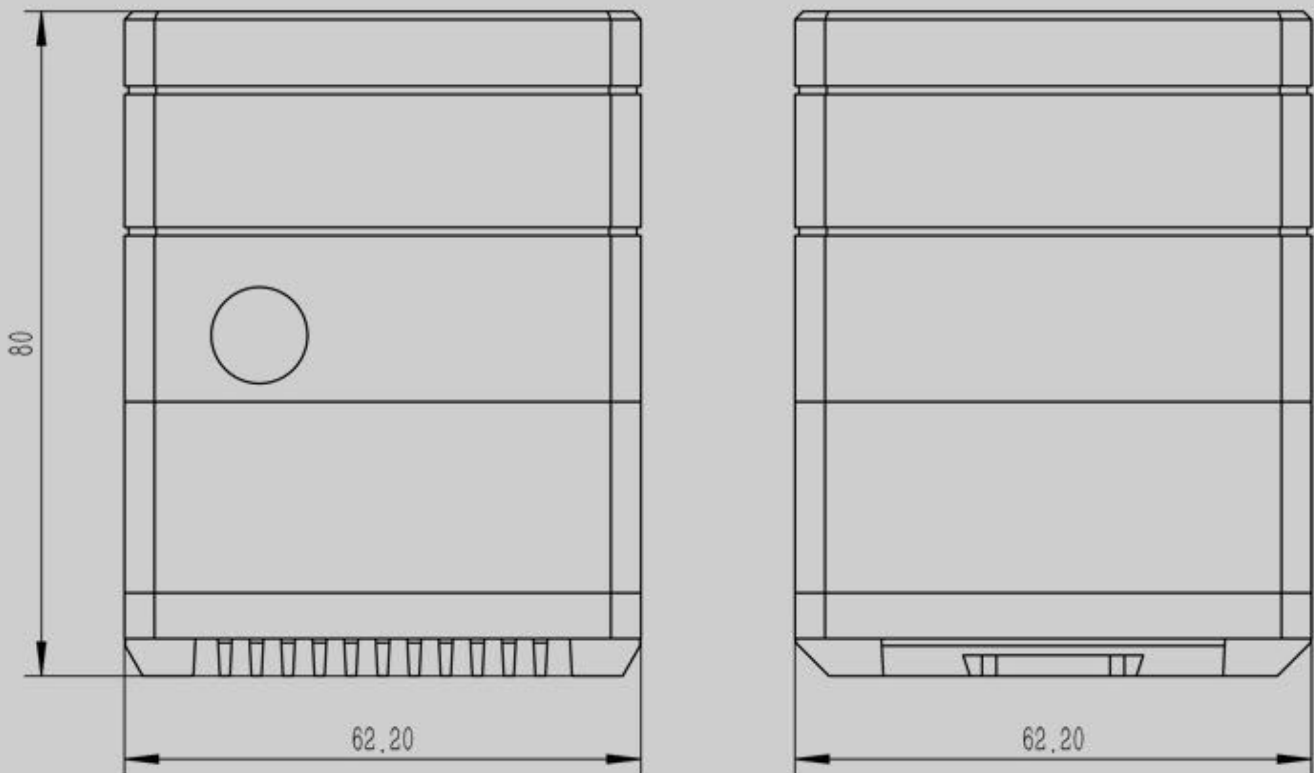
Specifications

- Color: Silver
- Pump cover material: PMMA (acrylic)
- Shell material: aluminum alloy
- Model: SPB17-TM-SL
- Power Input: 4Pin
- DRPM: Max 4000rpm
- Max Power: DC12V
- Max 17W Voltage: 12v
- Lift: 5.5M
- Max Flow: 960L/H
- Heatsink: Aluminium alloy
- Size: 62*62*80

Appearance size

外观尺寸

07



Purchase information

购买须知

1. Method of activating manual mode: Enter the manual speed-control mode by rotating the speed-control switch clockwise. Switch off the manual mode and enter the PWM automatic speed-control mode by rotating the speed-control switch to the end anticlockwise.
2. Type of controlling: LRC2.0 aurora RGB lighting control system.
3. (This standard configuration of the product excludes controller; if controller is needed, please buy it separately) ;
4. Product appearance structure will be upgraded without a prior notice, and the material object prevails.
5. Cautions:
 - Please do not make the pump rotate without water for a long time, otherwise irreparable damage will be caused
 - Please make the water inlet of water pump upwards in use, so that coolant can naturally flow into the water inlet of water pump while being affected by gravity; please do not make the water inlet of water pump upwards, so as to avoid the normal operation of the water pump.
 - Please distinguish the inlet and outlet of the water pump before use, so as to avoid the normal operation

Additional Information

Brand	Barrow
SKU	SPB17-TM-SL
Weight	1.5000
Color	Silver
Reservoir Type	Built-in
Tube Res Length	50mm
Pump Type	SPB17
Vendor SKU/EAN	6937826614378

