

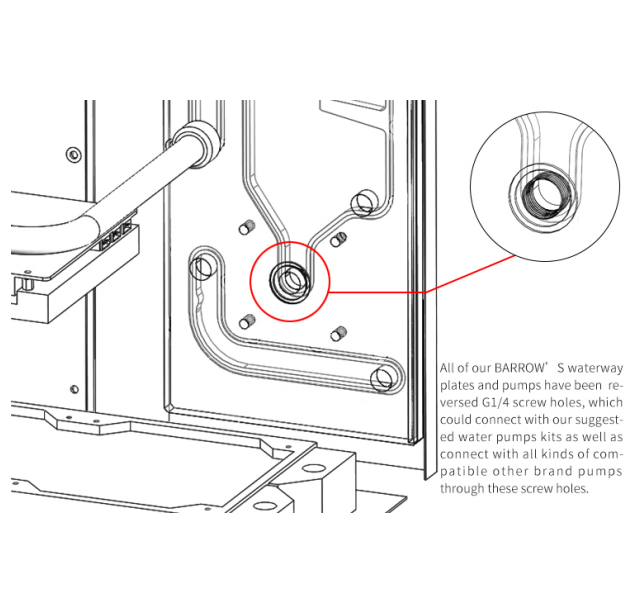
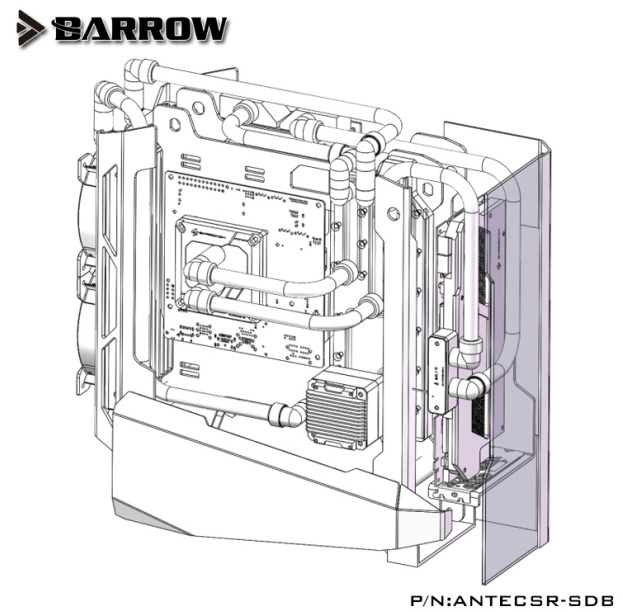
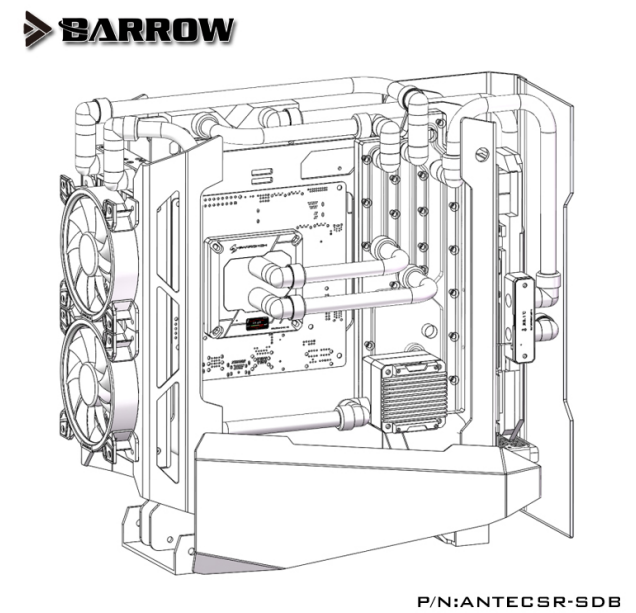
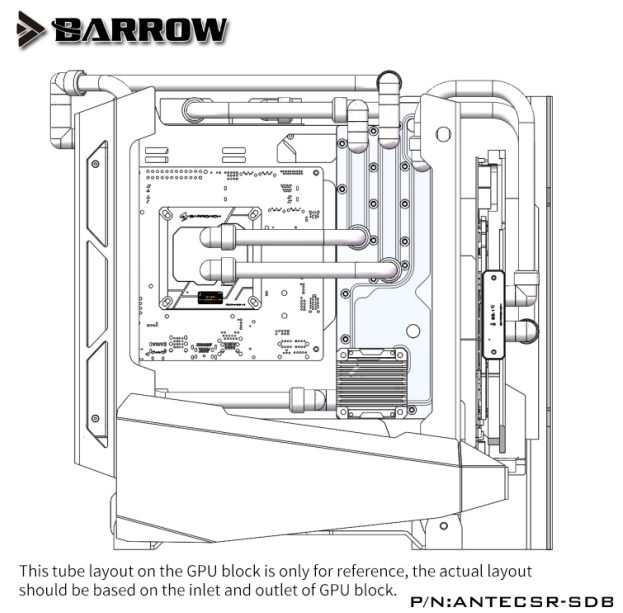


BARROW Barrow Waterway plate for ANTEC Striker case Aurora

\$124.95

Product Images





Short Description

This water channel board from Barrow is made out of acrylic and is made specifically to fit the interior of the Antec Striker.

Description

This water channel board from Barrow is made out of acrylic and is made specifically to fit the interior of the Antec Striker.

Please Note: The water channels within these waterway plates may update without notice. Overall demension of waterway will stay the same

Features

Recommended products

Product name	Model	Number
BARROWCH Chameleon Fish series removable 240 radiator POM edition	FBCFR-240P	2
Barrowch Male to Female Extender - 7.5mm	TNYZ-G7.5	1
Barrowch Male to Female Extender - 10mm	TNYZ-G10	2
Barrowch Male to Female Extender - 15mm	TNYZ-G15	4
Barrowch Male to Female Extender - 20mm	TNYZ-G20	1
Barrowch Male to Female Extender - 30mm	TNYZ-G30	1
Barrow Compression Fitting(Extended Edition) - 14mm OD Rigid Tubing	TYKN-K1410 V4	14
Barrow Multicolor New CD Composite plate Finish Stop Plug Fitting	TLCDT-V1	3
Barrow 90°Rotary Adapter (Male to Female)	TWT90-v2.5	19
Barrow New Edition Water Cooling Liquid	SLYS-V2	2
Barrow Flat push type check valve (Male to Female)	TTLPG	1
Barrowch PWM speed control 17W through-hole pump for waterway plate Intelligent edition	FBSP17B-T	1

Barrow 2016 New Manual automatic integrated Exhaust valve	TPQZ-V2	1
Barrow 16 ways full function RGB and fan integrated controller (support to remote control and synchronization motherboard RGB)	DK301-16	1
Barrow New Edition Water Cooling Liquid	SLYS-V2	2
Barrow 14*10 Normal temperature type PETG Tube (ID: 10MM, OD: 14MM, Length: 500MM)	PG1410-L	8
Barrow RGB full color speed regulation and lighting integrated fan with Hydraulic bearing PWM speed regulation	BF04-PR	4

The above list only shows the applicable connector specifications. Players can choose other products according to the above product specifications

Specifications

The motherboard models that the water channel integrated board compatible with are:....

ROG STRIX Z370-I GAMING

ROG STRIX Z270-I GAMING

B150I PRO GAMING/AURA

B150I PRO GAMING/WIFI/AURA

B150I PRO GAMING/AURA

We recommend using the above models of motherboards and more compatible motherboards will be updating at any time.

Additional Information

Brand	Barrow
SKU	ANTECSR-SDB
Weight	4.0000
Color	Clear
Reservoir Type	Distribution plate
Vendor SKU/EAN	6937826613692

