



BARROW Barrow DDC Pump Reservoir for all DDC 17 Watt Pumps

\$49.95

Product Images



Short Description

BARROW brand is committed to creating the most suitable for your products. High quality raw materials +

professional environmental coating. Exquisite production technology + the whole produce chain control. High value products + reasonable product price. Because the focus, so professional. This beautiful acrylic pump reservoir for all Barrow 17 Watt DDC pumps. Pump and heatsink not included.

Description

BARROW brand is committed to creating the most suitable for your products. High quality raw materials + professional environmental coating. Exquisite production technology + the whole produce chain control. High value products + reasonable product price. Because the focus, so professional. This beautiful acrylic pump reservoir for all Barrow 17 Watt DDC pumps. Pump and heatsink not included.

Modified mini reservoir

Cool/High efficiency/Heat sinking/Professional

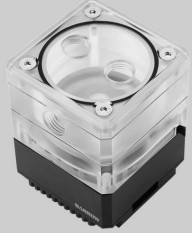


- 
Mini Size
- 
High-transmittance acrylic plate
- 
Colorful lighting
- 
Square water tank

Strong compatibility

超强兼容性
 Be compatible with all modified 17W water pumps owned by BARROW.

01



In the figure, combination effect of installation is displayed, and the actual product excludes water pump.

High-transmittance acrylic plate

高透光亚克力
 High-quality transparent acrylic plate is adopted to perfectly display internal brilliant lighting effect.

02



Convenient modification

改装便捷
 While replacing MINI reservoir, modification can be completed only after locking four screws on the bottom.

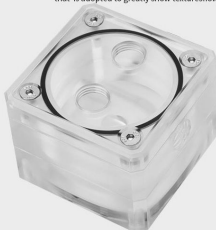
03



CNC processing and modeling

CNC加工成型
 Selected high-quality raw materials are modelled through CNC that is adopted to greatly show texture show texture.

04



Colorful lighting

炫彩灯光
 Carry BARROW LRC 2.0 lighting system, it can realize synchronous and asynchronous control. It show the gorgeous colors, and is compatible with 5V programmable lighting interfaces of some motherboard.

05



- 
Rainbow
- 
Gradual change
- 
Wave
- 
Breath
- 
Double flash
- 
Circulate

Specifications

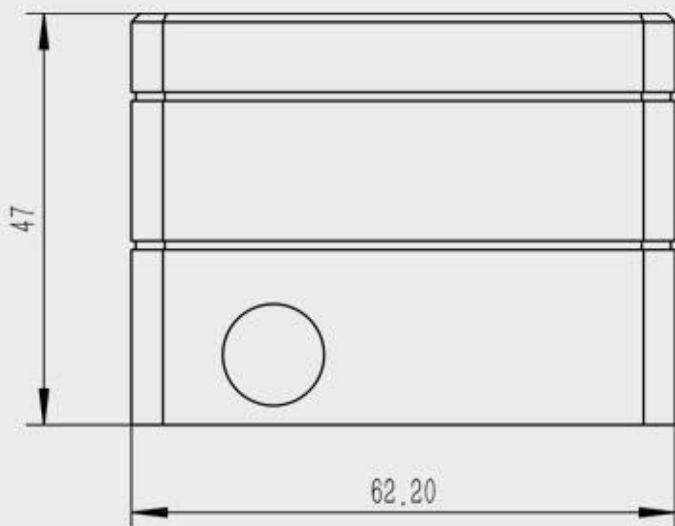
Specifications:

- Design for all Barrow 17 Watt DDC pumps
- Materials: PMMA / POMThread: G1/4
- Color: clear
- Size: 62MM (Long) *62mm (wide) *47mm (height)
- Screw spec: M4X30 (4pcs)
- Key: M4

Appearance size

外观尺寸

06



Additional Information

Brand	Barrow
SKU	SPB17-M
Weight	1.0000
Color	Clear
Pump Type	DDC
Material	Acrylic
Vendor SKU/EAN	6937826614385

