



Low Profile Top Funnel-Entry Clips

\$0.29

Product Images

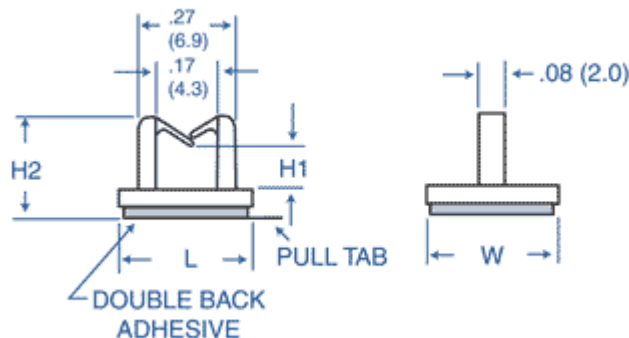


Short Description

Product Details:

Low Profile Top-Funnel Entry Clip Nylon UL94V-2 Adhesive Back w/.17 Inch Saddle. For use to route small cables around your case and secure them.

- Low profile clip (top/funnel entry)
- Adhesive backed base with release tab
- Rubber based adhesive
- Material: UL94V-2 (E41938)



ITEM NO.
 UL94V-2
 COLOR: Natural
 PACKAGING: Price per piece
 MATERIAL: Nylon 66
 E70062

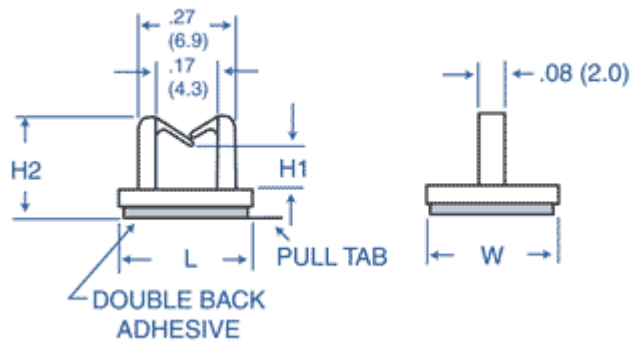
ITEM NO.	L inches(mm)	W inches(mm)	H1 inches(mm)	H2 inches(mm)
UL94V-2	.375 (9.5)	.375 (9.5)	.118 (3.0)	.291 (7.4)

Description

Product Details:

Low Profile Top-Funnel Entry Clip Nylon UL94V-2 Adhesive Back w/.17 Inch Saddle. For use to route small cables around your case and secure them.

- Low profile clip (top/funnel entry)
- Adhesive backed base with release tab
- Rubber based adhesive
- Material: UL94V-2 (E41938)



ITEM NO.

UL94V-2

COLOR: Natural

PACKAGING: Price per piece

MATERIAL: Nylon 66
E70062

ITEM NO.

	L	W	H1	H2
	inches(mm)	inches(mm)	inches(mm)	inches(mm)
UL94V-2	.375 (9.5)	.375 (9.5)	.118 (3.0)	.291 (7.4)

Additional Information

SKU	FUNNEL-CLIP
Weight	0.0010
Wire Management Type	Clamp

