



BARROWCH

Barrowch 45° Rotary Adapter Fitting with Smooth Surface - Silver

\$5.99

Product Images





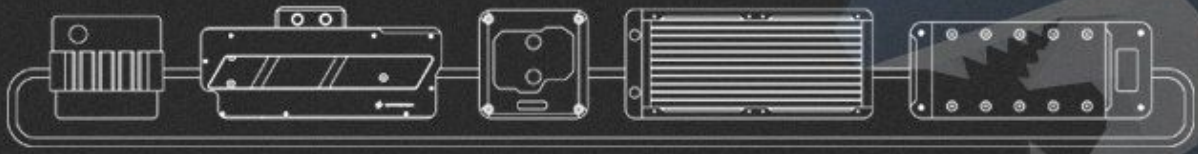
Short Description

This is a new professional, 45° Rotary Adapter from Barrowch with a smooth surface finish and it means it swivels 360 degrees to give you the perfect positioning of your fitting in relation to the tubing. The excellent internal water flow ensures high through-put of water, thereby reducing internal resistance. These new fittings are brass with either a matte black or chrome silver color featuring an exquisite check pattern that delivers a comfortable grip. These fittings are smooth due to multiple machining processes that produce absolutely no deformations and an outstanding texture!

Description

This is a new professional, 45° Rotary Adapter from Barrowch with a smooth surface finish and it means it swivels 360 degrees to give you the perfect positioning of your fitting in relation to the tubing. The excellent internal water flow ensures high through-put of water, thereby reducing internal resistance. These new fittings are brass with either a matte black or chrome silver color featuring an exquisite check pattern that delivers a comfortable grip. These fittings are smooth due to multiple machining processes that produce absolutely no deformations and an outstanding texture!

BARROWCH



Cool • High efficiency • Heat sinking • Professional

45° Rotary Adapter with smooth surface

Barrowch 45° Rotary Adapter with smooth surface FBWT90-MR



FBWT45-MR

Its ingenuity brings you a brand-new experience with a unique style



Comfortable grip



Brass material



Exquisite Check
Pattern



Low water resistance



Unique appearance

High throughput structure

高通过性结构

The excellent internal water flow structure ensures a high-throughput water flow, thereby reducing internal resistance.



Proportional optimization

比例优化

A more comfortable grip can be created by optimizing that proportion of the joint body and the bottom rotate body.



Brass body shows texture

黄铜本体 质感尽显

It uses high-quality brass and matches the smooth appearance to highlight the texture of the joint body.



Unique shape

独特造型

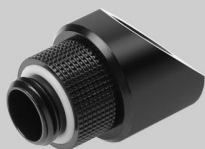
We are going to change the previous design style and boldly innovate the appearance to make it more in line with different cold water schemes.



Strict selection criteria

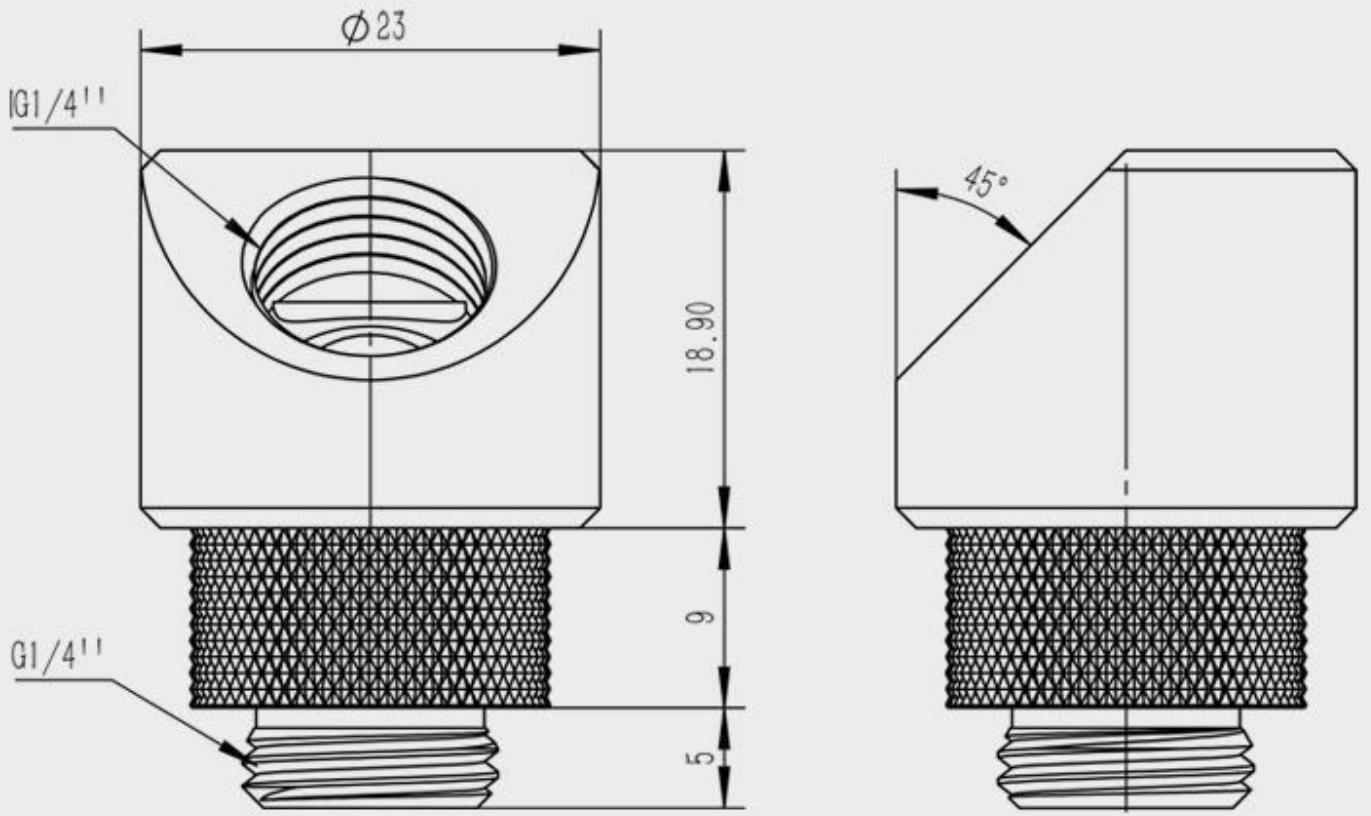
严谨选材

It is made of high-quality brass as a whole and is made by multiple processing procedures with the characteristics of high strength, no deformation and outstanding texture.



Appearance size

外观尺寸



Additional Information

Brand	Barrowch
SKU	FBWT45-MR-SL
Weight	0.1000
Special Order	No
Fitting Type	Rotary
Fitting Angle	45 Degree
Fitting Finish	Chrome
Vendor SKU/EAN	6937826663949

