



BARROW Barrow Premium 2280/22110 PCIE SATA M2 SSD Dual Fan heatsink Cooler - Matte Black

\$26.50

Product Images



Short Description

This is a new professional, high efficiency M.2 Solid State air cooled heatsink from Barrow. Selected high-quality raw materials are modeled through CNC surface, the cooler is made from aluminum material The block top is cnc'ed from aluminum alloy to enhance the texture. The body is an aluminum alloy radiator is processed and modeled from integral aluminum alloy through CNC, and anodic oxidation technology is adopted to make the radiator maintain brilliant colors after long-term use! This heatsink/cooler provides extreme thermal heat conductivity and is suitable for 2280/22110 specification type solid state drive. This cooler also features 2 tiny fans that spin in excesses of 10,000 rpm which makes it virtually silent while still pushing off a steady amount of hot air. The cooler will cool single or double sided chips and is very easy to install using double sided thermal conductive tape.

Description

This is a new professional, high efficiency M.2 Solid State air cooled heatsink from Barrow. Selected high-quality raw materials are modeled through CNC surface, the cooler is made from aluminum material The block top is cnc'ed from aluminum alloy to enhance the texture. The body is an aluminum alloy radiator is processed and modeled from integral aluminum alloy through CNC, and anodic oxidation technology is adopted to make the radiator maintain brilliant colors after long-term use! This heatsink/cooler provides extreme thermal heat conductivity and is suitable for 2280/22110 specification type solid state drive. This cooler also features 2 tiny fans that spin in excesses of 10,000 rpm which makes it virtually silent while still pushing off a steady amount of hot air. The cooler will cool single or double sided chips and is very easy to install using double sided thermal conductive tape.

Purchase information

购买须知

1. Equipment power supply need connect to Barrow LRC2.0 lighting power

supply interface;

2. Users need to check whether the motherboard has 5V power supply interface.

If not, need to purchase Barrow light controller separately;

3. It is necessary to tear off the protective film of the patch before use;

4. Product appearance structure will be upgraded without a prior notice, and

the material object prevails.

Features

M.2 hard disk Heatsink kit

Cool/High efficiency/Heat sinking/Professional



All surround heat dissipation



Aluminum alloy radiator



Easy to install



Support hard disk with single/double side chip

High-speed silent dual fan

高速静音双风扇

01 The heatsink kit is equipped with two high-speed silent fans with a speed of more than 10000 rpm so as to keep the hard disk cool.



Active cooling scheme

主动式散热方案

02 The hard disk can keep a low temperature due to the high-speed fan, and so high-speed reading and writing can be enjoyed.



Support multi specification M2 hard disk

支持多种规格M2硬盘安装

03 The installations of M2 hard disk with single and double-sided chips and with 2280 and 22110 specifications are supported.



22110



2280

Once through air duct

直通式导风槽

04 Direct out ventilation can quickly remove the heat generated by M.2 hard disk when reading and writing at high speed.



CNC processing and modeling

CNC加工成型

05 Selected high-quality raw materials are modelled through CNC; surface anodic technology is adopted to greatly show texture.

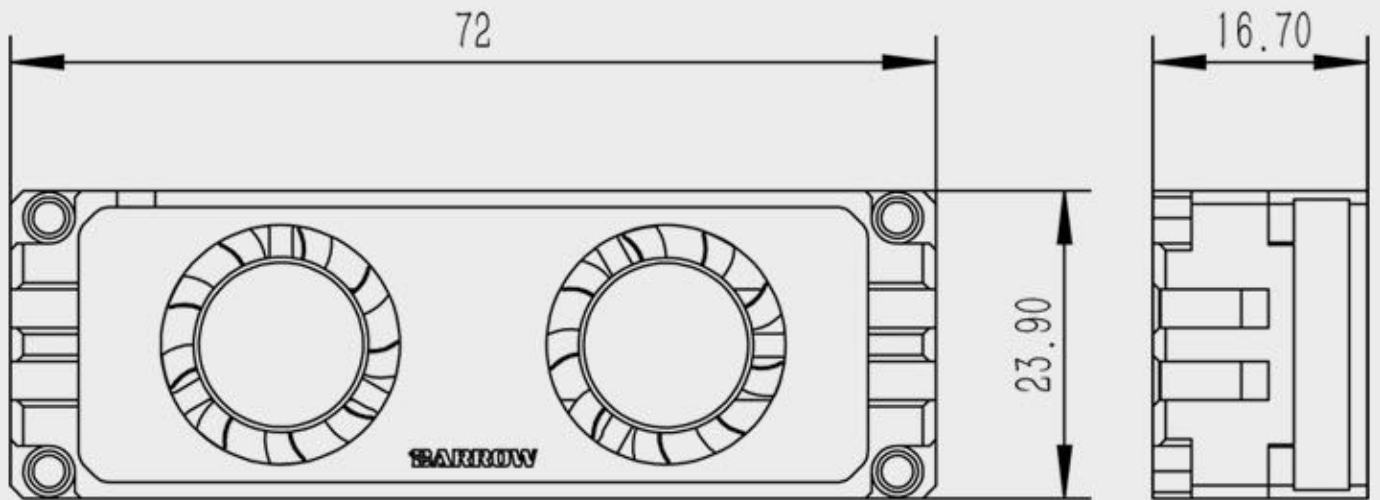


Aluminum alloy radiator is processed and modelled from integral aluminum alloy through CNC, and anodic oxidation technology is adopted to make the radiator maintain brilliant colors after long-term use.

Appearance size

外观尺寸

06



Install tutorial

安装教程



1.Remove the label on the hard disk drive to prevent poor heat dissipation



2.Paste thermal grease to one side of the hard disk



3.Slowly push the hard disk into the heat sink
(Please notice the connecting finger and the fixed gap need to stay outside of the slot)



4.Paste thermal grease on the other side
(In the case of a hard disk with a chip on both sides, select one side to apply the 0.5mm gray gasket.)



5.Install the red position screws in the picture, the installation is complete

Additional Information

Brand	Barrow
SKU	HDM2280-FT-BK
Weight	0.4000
Color	Black
Heatsink Type	Ramsink
Material	Aluminum
Vendor SKU/EAN	6937826614545

