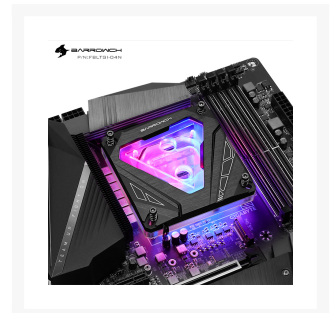




BARROWCH Barrowch M Series CPU  
water block 115X 1200  
X99/X299CPU Water Block  
Plexi - Black

\$64.95

Product Images



**BARROWCH**  
P/N:FBLTBI-04N



## Short Description

---

Want a unique CPU waterblock with an integrated OLED temperature readout, but don't want feel like selling a kidney to get one? Well you're in luck because Barrowch has you and your CPU covered with this sleek solution! Designed for Intel consumer and workstation platform this block will work with 1200, 115x, X99 and X299 socket CPUs.

## Description

---

Want a unique CPU waterblock with an integrated OLED temperature readout, but don't want feel like selling a kidney to get one? Well you're in luck because Barrowch has you and your CPU covered with this sleek solution! Designed for Intel consumer and workstation platform this block will work with 1200, 115x, X99 and X299 socket CPUs. With 0.4mm micro-fins and copper heat-plate you get thermal dissipation not typically found in this price range.

Barrowch could have stopped there, but they insisted on giving you all the modern conveniences of fully customizable RGB that can be synced with your ASUS, MSI, Gigabyte and ASRock motherboards (adapter cables sold separately). The OLED power is provided via a standard 3-pin fan connector and the temperature readout is achieved via a thermal probe built into the block. All mounting hardware is included so you have everything you need to get up and running.

<b>Name</b>	Barrowch INTEL platform Color screen version of digital display CUP water block with Multi-mode
<b>Model</b>	FBLTFHI-04N V2
<b>Material</b>	Aluminum alloy+ Acrylic+ Copper
<b>Weight</b>	450g
<b>Specification</b>	Suitable for INTEL 115X platform X99 X299 platform
<b>Features</b>	<ul style="list-style-type: none"> <li>• Full color TFT temperature display screen: water temperature real-time display , Various modes can be switched at will, super fast 1ms frequency sampling rate;</li> <li>• Integrated interface: Through integrating circuits, Integrate the internal circuits into one power input, only need access to Barrow's LRC2.0 lighting system;</li> <li>• Various switching modes: click the button in round hole to switch different modes by the accessory eject pin;</li> <li>• Super strong Compatibility: Compatible with three major platforms including the 115X/ X99/X299 platform;</li> <li>• aluminum alloy CNC: the entire aluminum alloy raw materials, multiple process CNC machined , anodizing sandblasting process, the surface texture is exquisite;</li> <li>• 0.4mm micro waterway base plate, the waterway quantity is about 49 grooves, nickel plating process on the surface, made of pure mirror-polishing process;</li> <li>• Internal integrated full color adjustable RGB light module can achieve dynamic and static multiple color effect switching;</li> <li>• The upper cover of water block is made of PMMA, aluminum alloy and other materials meanwhile various color matching schemes could be chosen;</li> <li>• Acrylic materials are used of the original imported entire acrylic sheet.</li> </ul>
<b>Matters need attention</b>	<ul style="list-style-type: none"> <li>• (The standard don't contain controller, if need, please purchase separately. The standard don't contain ZBDZJX-5 connective cable, please purchase separately);</li> <li>• The front of inlet port is suggested to add filter device to prevent jamming to extend the maintenance cycle of water loop;</li> <li>• The panel structure is complex so privately dismantling the connection between the aluminum alloy panel and the acrylic structure may make damage;</li> <li>• In case of upgrading to the appearance and structure , no further notice, the real object shall prevail.</li> </ul>

## Features

# M series CPU water block

Barrowch M series CPU water block 115X 1200 X99/X299 radiator



## FRUIT COLOR

Create originality, optimization and upgrading, Unique new experience

- Aluminum alloy panel
- Ultra strong compatibility
- Colorful lights
- Unique appearance
- Easy to install

## Future mechanical style

未来机械风格

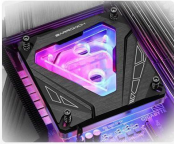
Combined with transparent inclined triangular energy reactor modeling design, irregular concave convex design highlights the sense of future science and technology.



## CNC precision machining

CNC精工制程

The aluminum alloy is processed by CNC complex machining and other multi-channel complex surface post-treatment process, showing the full texture.

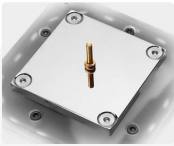
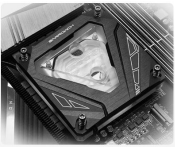


### An imported high transparent acrylic

Imported high temperature resistant and transparent acrylic is used to show gorgeous interior lighting effects.

### High-density jet microchannel

58MM\*58MM high-purity red copper nickel-plated bottom plate has up to 49 microchannels. Each channel has a clear bottom, with a cutting groove. And the channels are 1:2 asymmetric (0.4MM slot width+0.2MM interval). So the contact area between the water cooling liquid and the bottom plate is increased, and the heat dissipation efficiency of the water block is enhanced.



### Nickel plated copper backplane

Red copper, the main material of the bottom plate with thermal conductivity second only to silver, boasts high heat absorption and heat transfer efficiency. The surface adopts a mirror nickel plating process, which can effectively prevent the oxidation of the bottom plate and keep good contact with the CPU.

## Lighting effects show

Version 2.0 lamp beads and lamp beads can produce synchronous static and dynamic lighting effects, that is, each lamp bead can independently change color in the same period. The built-in removable RGB light components can replace the light components according to the actual needs.



## Control system 2.0

LRC full-color RGB lighting control system 2.0 includes BARROW's version 2.0 manual controller and 16 channel remote controller. It can be compatible with the RGB lighting components and other independent products as well as built-in lighting components of all BARROW's 2.0 versions.





## Additional Information

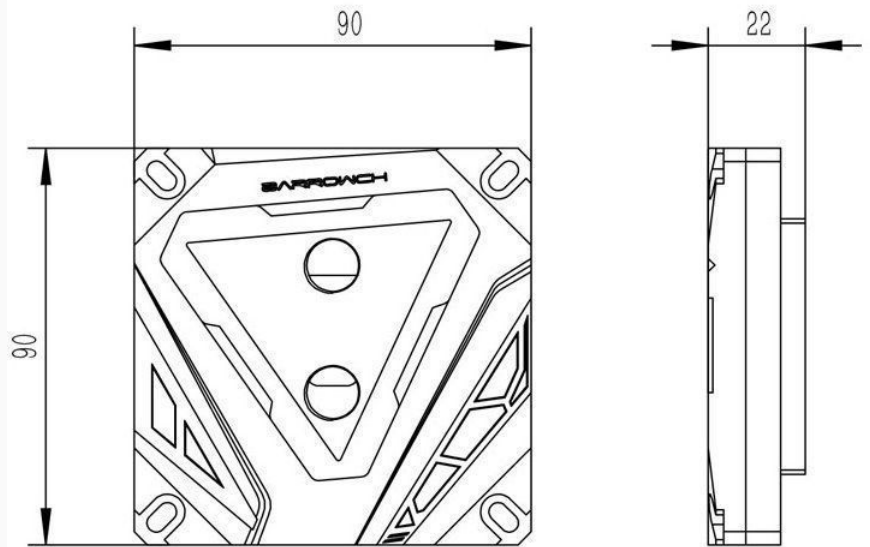
---

Brand	Barrowch
SKU	FBLTGI-04N
Weight	1.5000
Color	Black
CPU Series	Intel 115X/2011/2011-3/2066/1200
Block CPU Type	Intel
Block Style	Nickel-Plexi



## Appearance size

外观尺寸



Internet Reviews

## Installation example

安装示例

