



BARROW Barrow 14MM Double 90° Prebending Metallic - plated Copper - Black

\$17.95

Product Images



Short Description

Barrow's Rigid tubing is a great alternative to classic soft tubing. Made of copper, hardline tubing is a cleaner, more precise way of tubing your system. You can bend or shape hard tubing using a bending cord, heat gun and bending tool. While using hardline tubing in your build presents new challenges, the results speak for themselves. This pipe includes two pre-bent 90 degree angles.

Description

Barrow's Rigid tubing is a great alternative to classic soft tubing. Made of copper, hardline tubing is a cleaner, more precise way of tubing your system. You can bend or shape hard tubing using a bending cord, heat gun and bending tool. While using hardline tubing in your build presents new challenges, the results speak for themselves. This pipe includes two pre-bent 90 degree angles.

Please note: 14mm Hardline tubing cannot be used with standard compression or barb fittings and must be used with specialized 14mm hardline fittings. Improper use can lead to cracking, leaks and damage to your system or components.

Features

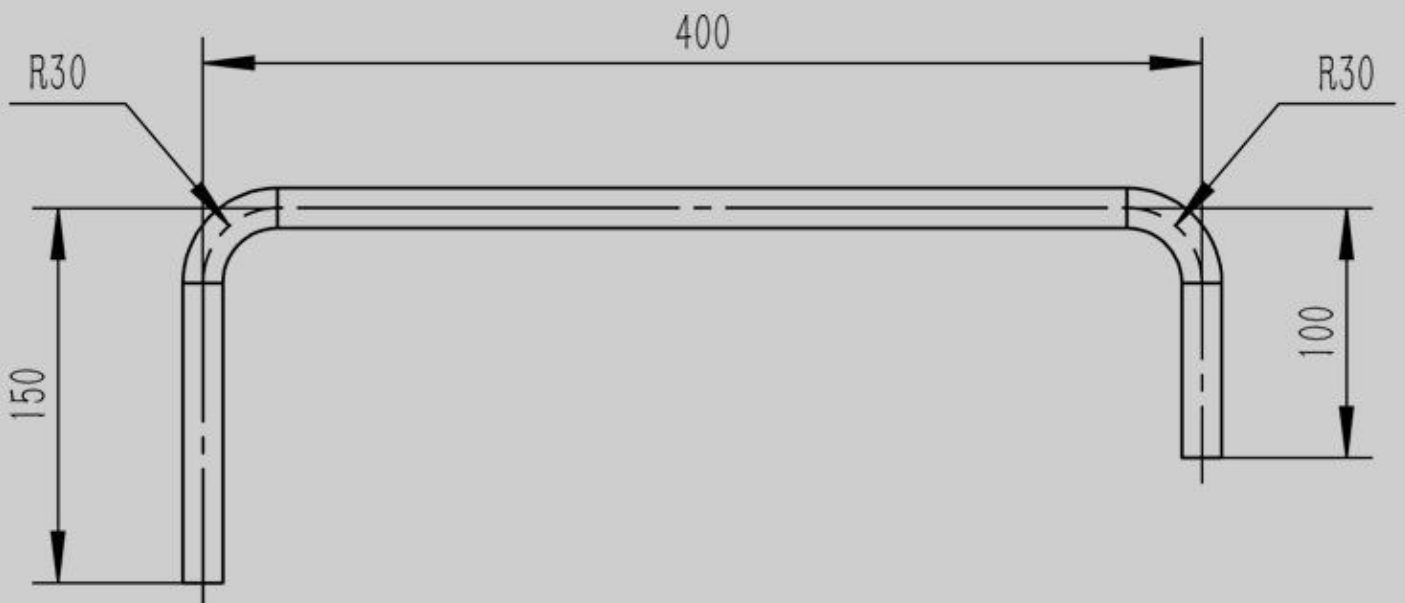
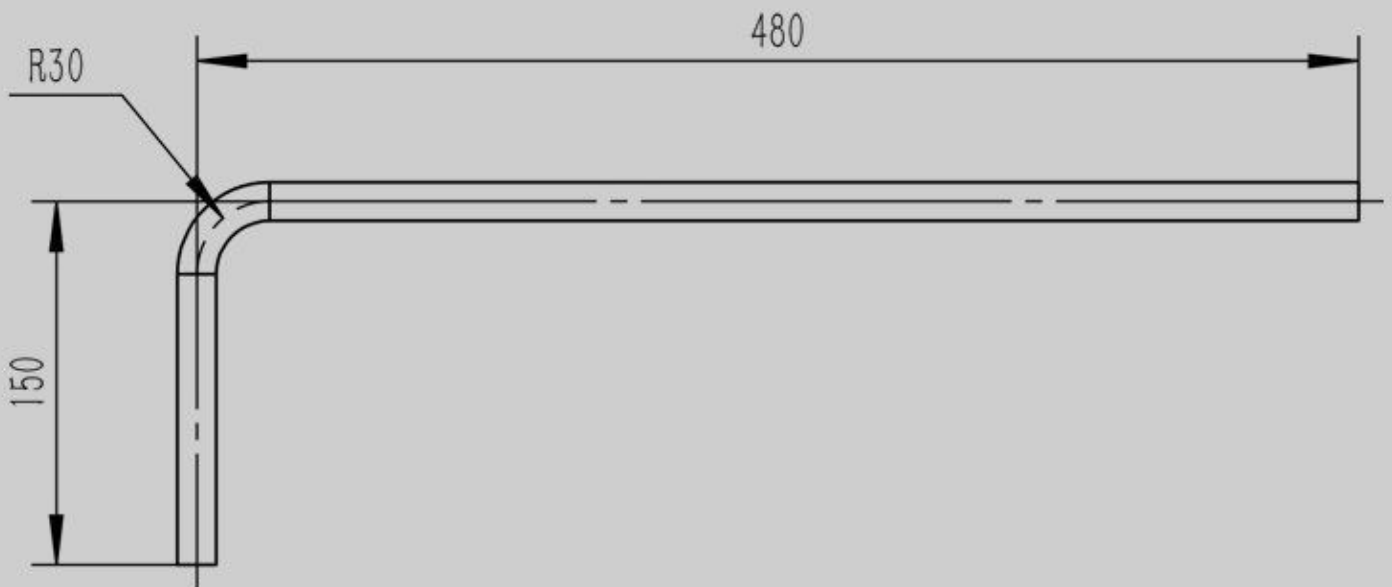
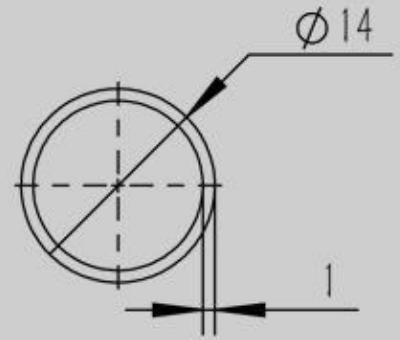
Specifications

	Black
	14/10mm
	1x Barrow 14/10mm PETG Rigid HardTube (500mm) - Clear
	Copper

Appearance size

外观尺寸

05



Additional Information

Brand	Barrow
SKU	TSWB-14
Weight	2.0000
Color	Black
Tube Type	Copper
Tube Size	10mm x 14mm
Material	Copper
Delivery	Bare
Vendor SKU/EAN	6937826614446

